

POMPE CENTRIFUGHE AD ASSE VERTICALE
VERTICAL AXIS CENTRIFUGAL PUMPS
BOMBAS CENTRÍFUGAS DE EJE VERTICAL
POMPES CENTRIFUGES À AXE VERTICAL



MEC 80
MEC 100
MEC 125
MEC 150

mec.2.
pompe

IT **Le pompe ad asse verticale serie MEC sono progettate per il sollevamento di acque profonde, applicazioni acquedottistiche ed industriali, alimentazione idrica ad uso civile, irriguo e negli impianti antincendio.**

La lunga esperienza e le numerose prove eseguite garantiscono qualità, affidabilità e flessibilità.

La gamma di pompe serie MEC da 6" a 10" con portate fino a 420 m³/ora, permette di raggiungere falde acquifere a profondità superiori ai 200mt.

La pompa ad asse verticale si compone di:

- Corpo pompa ad una o più giranti in serie.
- Linea d'assi formante mandata per il liquido sollevato.
- Gruppo di comando per il sollevamento e l'azionamento della pompa.

La bocca di erogazione, direttamente incorporata alla testata, permette il collegamento con la tubazione di mandata.

È consentito il sollevamento di liquidi non aggressivi ad una temperatura massima = 40°C con un contenuto massimo di sostanze solide in sospensione (con durezza e granulometria del limo) = 50g/m³.

La vasta gamma di comandi consente l'azionamento della pompa con diverse macchine motrici.

EN **Vertical axis pumps series MEC are designed for the lifting of deep waters, water and industrial applications, water feeding for civil use, irrigation and in the fittings fireproof.**

The long experience and the numerous performed tests guarantee quality, reliability and flexibility.

The range of pumps series MEC from 6" to 10" with flow rates until to 420 m³/hour allows to reach groundwater at depths bigger than 200m.

The vertical axis pump is composed of:

- Pump body with one or more impellers in series.
- Line of axes forming flow rate for the lifted liquid.
- Control group for the lifting and operating of the pump.

The outlet, directly incorporated to the heading, allows connection with the flow pipeline.

It is allowed the lifting of non-aggressive liquids to a maximum temperature = 40°C with a maximum content of solid substances in suspension (with hardness and granulometry of the slime) = 50g/m³.

The large range of controls allows the pump activation with different machines.

ES **Las bombas de eje vertical de la serie MEC están diseñadas para el levantamiento de aguas profundas, aplicaciones de agua e industriales, alimentación hídrica a empleo civil, regadío y en los sistemas de protección contra incendios.**

La larga experiencia y las numerosas pruebas ejecutadas garantizan calidad, fiabilidad y flexibilidad.

La gama de bombas de la serie MEC da 6" a 10" con caudales de suministro hasta 420 m³/hora, permite de alcanzar capas freáticas a profundidades superiores a 200mt.

La bomba de eje vertical se compone de:

- Cuerpo de la bomba con uno o más impulsores en serie.
- Línea de ejes modelante caudal de suministro para el líquido levantado.
- Grupo de mandos para el levantamiento y el accionamiento de la bomba.

La boca de salida, directamente incorporada en la cabeza, permite el enlace con la tubería de suministro.

Está permitido el levantamiento de líquidos no agresivos a una temperatura máxima = 40°C con un contenido máximo de sustancias sólidas en suspensión (con dureza y granulometría del limo) = 50g/m³.

La amplia gama de mandos permite el accionamiento de la bomba con diferentes máquinas motrices.

FR **Les pompes à axe vertical de la série MEC sont projetées pour le soulèvement d'eaux profonde, applications hydrauliques et industrielles, alimentation hydrique à l'usage civil, irrigable et dans les installations contre l'incendie.**

La longue expérience et les nombreux essais exécutés garantissent qualité, fiabilité et flexibilité.

La gamme de pompes de la série MEC de 6" à 10" avec débit jusqu'à 420 m³/heure permet de rejoindre eaux souterraines à des profondeurs supérieures à 200 m.

La pompe à axe vertical est composée par :

- Corps pompe avec une ou plusieurs roues en série.
- Ligne d'axes formant débit pour le liquide soulevé.
- Groupe de commande pour le soulèvement et l'actionnement de la pompe.

L'orifice de refoulement, directement incorporé à la tête permet la liaison avec la tuyauterie de débit.

Il est permis de pomper des liquides non agressifs à une température maximale de 40°C avec un contenu maximum de corps solides en suspension (avec dureté et granulométrie du vase) = 50 g/m³.

La vaste gamme de commandes permet l'actionnement de la pompe par différentes machines motrices.

Serie MEC 80R 6''



Dati tecnici / Technical data / Datos técnicos / Données techniques

r p m		Portata / Flow rate / Caudal / Débit														
		l/sec.	4.2	4.6	5	6.7	8.3	10	10.8	11.7						
		m³/h	15	16.5	18	24	30	36	39	42						
		l/min.	250	275	300	400	500	600	650	700						
2 9 0 0	H (m)			24	22	20	17	15	13	20/2	MEC80 3'' 20	80 S 3'' 20	PR 50 3'' 20	PM 50 3'' 20	80 B1/20	
	Kw P ₁			2.2	2.6	2.6	2.6	2.6	2.6	20/4					80 B1/20	
	H (m)			47	44	40	35	30	27	20/6					80 B2/20	
	Kw P ₁			4.1	4.9	5.2	5.2	5.2	5.2	20/8					80 B2/20	
	H (m)			72	68	60	52	46	40	20/10					80 B2/20	
	Kw P ₁			6.7	7.5	7.5	7.8	7.8	7.8	20/12					80 B2/20	
	H (m)			95	89	79	70	61	53	24/14					80 B2/24	
	Kw P ₁			8.6	9.7	10.4	10.4	10.4	10.4	24/16					80 B3/24	
	H (m)			118	110	100	87	77	67							
	Kw P ₁			10.4	11.9	12.7	13.1	13.1	12.7							
H (m)			143	133	120	103	91	80								
Kw P ₁			12.7	13.4	15.7	15.7	15.7	15.7								
H (m)			167	154	139	122	107	92								
Kw P ₁			14.9	17.2	17.9	17.9	17.9	17.9								
H (m)			190	178	160	140	123	106								
Kw P ₁			17.2	19.4	20.1	20.9	20.9	20.1								
2 6 0 0	H (m)		20	20	19	16	12	11		20/2	MEC80 3'' 20	80 S 3'' 20	PR 50 3'' 20	PM 50 3'' 20		
	Kw P ₁		1.4	1.6	1.6	1.6	1.6	1.6		20/4						
	H (m)		40	39	37	32	25	21		20/6						
	Kw P ₁		2.5	2.5	2.8	2.1	3.1	3.1		20/8						
	H (m)		60	58	56	48	38	32		20/10						
	Kw P ₁		3.6	3.9	3.6	4.5	4.5	4.5		20/12						
	H (m)		80	78	73	64	50	44		20/14						
	Kw P ₁		5.0	5.0	5.8	6.1	5.8	5.8		20/16						
	H (m)		100	98	92	80	62	55		24/18						
	Kw P ₁		6.1	6.4	7.2	7.5	7.2	7.2		24/20						
H (m)		120	119	112	96	76	66									
Kw P ₁		7.2	7.8	8.7	8.9	8.9	8.9									
H (m)		140	139	130	110	88	76									
Kw P ₁		8.7	8.9	10.0	10.6	10.3	10.0									
H (m)		161	157	149	127	100	87									
Kw P ₁		9.7	10.0	11.7	11.7	11.7	11.4									
H (m)		182	179	176	142	112	98									
Kw P ₁		11.1	11.7	12.8	13.3	13.3	12.8									
H (m)		202	199	196	160	126	110									
Kw P ₁		12.2	12.8	13.9	15.0	14.5	14.5									
2 4 0 0	H (m)	16	16	15	14	12	8			20/2	MEC80 3'' 20	80 S 3'' 20	PR 50 3'' 20	PM 50 3'' 20		
	Kw P ₁	1.1	1.1	1.1	1.1	1.1	1.1			20/4						
	H (m)	33	31	32	28	23	17			20/6						
	Kw P ₁	1.9	1.9	2.2	2.2	2.2	2.2			20/8						
	H (m)	50	48	47	43	35	26			20/10						
	Kw P ₁	2.8	3.1	3.4	3.4	3.4	3.4			20/12						
	H (m)	65	64	63	57	46	34			20/14						
	Kw P ₁	3.6	3.9	4.5	4.5	4.5	4.5			20/16						
	H (m)	82	80	79	72	58	42			24/18						
	Kw P ₁	4.5	4.7	5.0	5.6	5.6	5.6			24/20						
H (m)	100	95	94	86	70	51										
Kw P ₁	5.6	5.8	5.8	6.4	6.6	6.4										
H (m)	115	111	110	100	82	60										
Kw P ₁	6.4	6.6	6.6	7.5	7.8	7.5										
H (m)	132	127	125	114	93	68										
Kw P ₁	7.2	7.5	7.8	8.7	8.9	8.7										
H (m)	148	143	141	128	105	76										
Kw P ₁	8.1	8.7	8.7	9.7	10.0	9.7										
H (m)	165	160	158	144	117	85										
Kw P ₁	8.9	9.5	9.7	10.8	11.1	10.6										

H (m)
Prevalenza
Head
Altura man.
Hauteur man.

Kw P₁
Potenza assorbita in Kw
Power input in Kw
Potencia absorbida en Kw
Puissance absorbée en Kw

Modifiche tecniche senza obbligo di preavviso / Technical modifications without prior notice / Variaciones técnicas sin obligación de aviso previo / Changements techniques sans obligation de préavis

Serie MEC 80 6''



Dati tecnici / Technical data / Datos técnicos / Données techniques

r p m		Portata / Flow rate / Caudal / Débit																
		l/sec.	5.8	6.7	7.5	8.3	10	11.7	13.3							15		
		m³/h	21	24	27	30	36	42	48							54		
		l/min.	350	400	450	500	600	700	800	900								
2 9 0 0	H (m)			26.5	26	25	23.5	21	18.5	20/2	MEC80 3" 20	80 S 3" 20	PR 50 3" 20	PM 50 3" 20	80 B1/20			
	Kw P ₁			3.3	3.4	3.7	3.9	4.0	4.2									80 B2/20
	H (m)			53	52	49.5	46.5	42	37	20/4								80 B2/20
	Kw P ₁			6.3	6.6	7.2	7.6	7.9	8.1									80 B2/20
	H (m)			79	77	74	70	63	55	20/6								80 B2/20
	Kw P ₁			9.4	9.8	10.7	11.4	11.9	12.0									80 B2/20
	H (m)			105	103	99	93	84	74	20/8								80 B2/20
	Kw P ₁			12.5	13.1	14.3	15.3	15.7	16.0									80 B2/20
	H (m)			131	129	124	116	105	92	20/10								80 B3/20
	Kw P ₁			17.7	16.4	17.9	19.0	19.8	20.1									80 B3/20
H (m)			157	155	149	139	126	110	24/12	MEC80 3" 24	80 S 3" 24	PR 50 3" 24	PM 50 3" 24	80 C1/24				
Kw P ₁			18.6	19.7	21.6	22.7	23.9	24.2									80 C1/24	
H (m)			183	181	174	162	147	129	24/14								80 C1/24	
Kw P ₁			22.0	23.1	25.0	26.5	27.6	28.3									80 C1/24	
H (m)				206	199	186	168	147	24/16					80 C1/24				
Kw P ₁				26.1	28.7	30.6	31.7	32.4						80 C1/24				
2 6 0 0	H (m)		22.5	22	21.5	20	18.5	16	13.5	20/2	MEC80 3" 20	80 S 3" 20	PR 50 3" 20	PM 50 3" 20				
	Kw P ₁		2.2	2.4	2.5	2.7	3.0	3.1	3.1									
	H (m)		45	44	43	40.5	37	32	27	20/4								
	Kw P ₁		4.5	4.8	5.0	5.4	5.7	6.0	6.0									
	H (m)		68	66	64	61	55	48	41	20/6								
	Kw P ₁		6.8	4.9	7.5	8.2	8.7	8.9	9.0									
	H (m)		90	88	86	81	74	64	55	20/8								
	Kw P ₁		9.1	9.8	10.1	11.1	11.6	11.9	12.2									
	H (m)		112	110	107	101	92	80	68	20/10								
	Kw P ₁		11.4	12.3	12.7	13.8	14.5	15.1	15.1									
H (m)		134	132	128	121	110	96	82	20/12									
Kw P ₁		13.8	14.8	15.1	16.6	17.4	18.1	18.5										
H (m)		157	154	150	141	129	112	96	24/12	MEC80 3" 24	80 S 3" 24	PR 50 3" 24	PM 50 3" 24					
Kw P ₁		16.3	17.4	17.7	19.2	20.4	21.1	21.5										
H (m)		179	176	172	162	147	128	109	24/16									
Kw P ₁		18.5	19.6	20.4	22.2	23.3	24.1	24.5										
H (m)		202	198	193	182	167	144	122	24/18									
Kw P ₁		20.7	22.2	23.0	24.6	26.3	26.3	27.4										
H (m)				204	192	177	152	129	24/19									
Kw P ₁				24.1	26.3	27.8	26.6	28.9										
2 4 0 0	H (m)	18.5	18	17.5	17	16	14	11.5		20/2	MEC80 3" 20	80 S 3" 20	PR 50 3" 20	PM 50 3" 20				
	Kw P ₁	1.7	1.9	1.9	2.0	2.2	2.2	2.3										
	H (m)	37	36	35	34	31.5	28	23		20/4								
	Kw P ₁	3.4	3.6	3.8	4.0	4.3	4.5	4.5										
	H (m)	55	54	53	51	47.5	42	34		20/6								
	Kw P ₁	5.1	5.4	5.7	6.0	6.5	6.8	6.8										
	H (m)	74	72	71	68	63	56	45.5		20/8								
	Kw P ₁	6.8	7.2	7.5	7.9	8.7	9.1	9.1										
	H (m)	92	90	88	85	79	70	57		20/10								
	Kw P ₁	8.4	8.9	9.4	9.9	10.7	11.4	11.3										
H (m)	110	108	106	102	95	84	69		20/12									
Kw P ₁	10.1	10.7	11.3	11.9	12.9	13.7	13.5											
H (m)	129	126	123	119	111	98	80		20/14									
Kw P ₁	11.9	12.5	13.2	12.4	14.9	16.0	15.7											
H (m)	147	144	141	136	126	112	91		20/16		PR 50 3" 24	PM 50 3" 24						
Kw P ₁	13.6	14.3	15.3	16.0	17.2	18.3	18.3											
H (m)	166	162	158	153	142	146	103		24/18	MEC80 3" 24			80 S 3" 24					
Kw P ₁	15.3	16.0	17.2	17.9	19.4	20.5	20.5											
H (m)	184	180	176	170	158	140	114		24/20									
Kw P ₁	16.7	17.9	18.6	19.7	21.6	22.7	22.7											

H (m)
Prevalenza
Head
Altura man.
Hauteur man.

Kw P₁
Potenza assorbita in Kw
Power input in Kw
Potencia absorbida en Kw
Puissance absorbée en Kw

Modifiche tecniche senza obbligo di preavviso / Technical modifications without prior notice / Variaciones técnicas sin obligación de aviso previo / Changements techniques sans obligation de préavis

Serie MEC 80L 6"



Dati tecnici / Technical data / Datos técnicos / Données techniques

r p m		Portata / Flow rate / Caudal / Débit														
		l/sec.	10	12	14	15	17	19	20	22						
		m³/h	36	42	48	54	60	66	72	78						
		l/min.	600	700	800	900	1000	1100	1200	1300						
2 9 0 0	H (m)	25	24	23	22	20	17	15	11	20/2	MEC80 3" 20	80 S 3" 20	PR 50 3" 20	PM 50 3" 20	80 B1/20	
	Kw P ₁	4.1	4.5	4.5	4.8	4.8	5.2	4.8	4.8	20/4					80 B2/20	
	H (m)	50	48	46	43	40	34	28	21	20/6					80 B2/20	
	Kw P ₁	8.2	8.9	9.3	9.7	9.7	10.1	9.7	9.7	20/8					80 B3/20	
	H (m)	76	71	68	63	58	49	36	30	20/10					80 C1/20	
	Kw P ₁	11.9	12.7	13.4	13.8	14.2	14.2	14.2	13.8	24/12					80 C1/24	
	H (m)	96	93	88	83	75	66	49	39	24/14	MEC80 3" 24	80 S 3" 24	PR 50 3" 24	PM 50 3" 24	80 C1/24	
	Kw P ₁	15.7	16.4	17.5	18.3	18.6	19.0	18.6	18.3	24/16	80 S 3" 24	PR 50 3" 24	PM 50 3" 24	80 C2/24		
	H (m)	125	115	110	103	93	83	59	49							
	Kw P ₁	19.4	20.9	21.6	22.7	23.1	23.9	23.1	22.7							
	H (m)	149	137	131	124	113	100	78	60							
	Kw P ₁	23.9	25.0	26.1	27.6	28.3	28.3	28.0	27.6							
2 6 0 0	H (m)	21	19	18	17	14	11			20/2	MEC80 3" 20	80 S 3" 20	PR 50 3" 20	PM 50 3" 20		
	Kw P ₁	3.4	3.4	3.4	3.4	3.7	3.4			20/4						
	H (m)	41	37	35	33	28	22			20/6						
	Kw P ₁	6.3	6.3	6.7	7.1	7.1	6.7			20/8						
	H (m)	59	55	60	47	41	33			20/10						
	Kw P ₁	9.3	9.3	9.7	10.1	10.4	10.1			20/12						
	H (m)	77	72	65	61	52	43			24/14	MEC80 3" 24	80 S 3" 24	PR 50 3" 24	PM 50 3" 24		
	Kw P ₁	11.9	12.3	12.7	13.4	13.4	13.0			24/16	MEC80 3" 24	80 S 3" 24	PR 50 3" 24	PM 50 3" 24		
	H (m)	95	89	83	75	65	54			24/18						
	Kw P ₁	14.9	15.3	16.4	16.8	17.2	16.8									
	H (m)	114	107	100	90	79	64									
	Kw P ₁	17.9	18.6	19.4	20.1	20.5	20.1									
2 4 0 0	H (m)	16	15	12	11	9				20/2	MEC80 3" 20	80 S 3" 20	PR 50 3" 20	PM 50 3" 20		
	Kw P ₁	2.2	2.2	3.0	3.0	3.0				20/4						
	H (m)	32	29	25	22	17				20/6						
	Kw P ₁	4.5	4.5	5.2	5.2	5.2				20/8						
	H (m)	44	42	37	31	25				20/10						
	Kw P ₁	6.7	6.7	7.5	7.5	7.5				20/12						
	H (m)	59	54	48	40	32				20/14						
	Kw P ₁	8.9	9.3	9.7	9.7	9.7				20/16						
	H (m)	72	68	59	51	40				24/18	MEC80 3" 24	80 S 3" 24	PR 50 3" 24	PM 50 3" 24		
	Kw P ₁	11.2	11.6	11.9	11.9	11.9				24/20						
	H (m)	86	80	72	62	48										
	Kw P ₁	12.7	13.4	14.2	14.2	14.2										
H (m)	101	95	85	73	56											
Kw P ₁	14.9	15.7	15.7	15.7	15.7											

H (m)
Prevalenza
Head
Altura man.
Hauteur man.

Kw P₁
Potenza assorbita in Kw
Power input in Kw
Potencia absorbida en Kw
Puissance absorbée en Kw

Modifiche tecniche senza obbligo di preavviso / Technical modifications without prior notice / Variaciones técnicas sin obligación de aviso previo / Changements techniques sans obligation de préavis

Serie MEC 80 7"



Dati tecnici / Technical data / Datos técnicos / Données techniques

r p m		Portata / Flow rate / Caudal / Débit																	
		l/sec.	8.3	10	11.7	13.3	15	16.7	20	23.3									
		m³/h	30	36	42	48	54	60	72	84									
		l/min.	500	600	700	800	900	1000	1200	1400									
2 9 0 0	H (m)	36.5	35	34	31.5	30.5	28	23.5		20/2	MEC80 3" 20	80 S 3" 20	PR 50 3" 20	PM 50 3" 20	80 B1/20				
	Kw P ₁	5.4	5.7	6.0	6.3	6.4	6.4	6.4										80 B2/20	
	H (m)	55	53	51	48	45	42	34.5		20/3									80 B2/20
	Kw P ₁	8.0	8.6	8.8	9.3	9.5	9.5	9.5											80 B2/20
	H (m)	73	70	68	64	61	56	46		20/4									80 B3/20
	Kw P ₁	10.4	11.4	11.6	11.9	12.3	12.5	12.5											80 B3/24
	H (m)	92	88	85	80	76	70	58		20/5									80 C1/24
	Kw P ₁	12.7	14.2	14.5	14.9	15.7	15.7	15.7											80 C1/24
	H (m)	110	105.5	102	95.5	91	84	69		20/6									100 C1/27
	Kw P ₁	15.7	17.2	17.5	17.9	18.6	18.6	18.6											100 C1/27
	H (m)	128	123	119	112	106	98	82		24/7					MEC80 3" 24	80 S 3" 24	PR 50 3" 24	PM 50 3" 24	80 C1/24
	Kw P ₁	17.9	19.4	20.4	20.9	21.6	21.6	21.6											
H (m)	146	140	136	128	122	112	93		24/8					100 C1/27					
Kw P ₁	20.9	22.4	23.0	24.6	23.5	25.0	25.0							100 C2/27					
H (m)	165	158	153	145	137	126	105		24/9										
Kw P ₁	23.1	25.4	26.1	27.6	28.3	28.3	28.3												
H (m)		177	171	161	152	142	115	86	27/10										
Kw P ₁		27.4	29.1	30.6	30.9	31.7	31.7	29.1											
H (m)		195	188	177	167	156	127	95	27/11	MEC100 4" 27	PR 75 4" 27	PM 75 4" 27							
Kw P ₁		30.6	32.1	33.2	34.3	35.0	34.7	32.1											
H (m)			205	193	182	171	138	103	27/12										
Kw P ₁			35.0	36.5	37.3	38.0	37.3	34.7											
2 6 0 0	H (m)	30	29	27	26	24	22	17		20/2	MEC80 3" 20	80 S 3" 20	PR 50 3" 20	PM 50 3" 20					
	Kw P ₁	4.2	4.5	4.5	4.8	5.0	4.8	4.8											
	H (m)	45	43	41	38	36	32.5	25		20/3									
	Kw P ₁	6.3	6.7	7.1	7.1	7.3	7.5	7.1											
	H (m)	60	58	55	52	48	43	33		20/4									
	Kw P ₁	8.4	8.7	9.1	9.5	9.7	9.7	8.9											
	H (m)	75	72	69	65	60	55	42		20/5									
	Kw P ₁	10.4	10.9	11.4	11.9	12.0	12.2	11.7											
	H (m)	90	86	83	77	72	65	51		20/6									
	Kw P ₁	12.4	13.1	13.7	14.3	14.5	14.7	14.2											
	H (m)	105	101	96	90	84	76	60		20/7									
	Kw P ₁	14.5	15.3	16.0	16.4	16.8	17.2	16.6											
H (m)	120	116	111	114	96	88	68		24/8	MEC80 3" 24	80 S 3" 24	PR 50 3" 24	PM 50 3" 24						
Kw P ₁	16.8	17.9	18.6	19.4	19.4	20.1	19.4												
H (m)	135	131	124	116	108	99	77		24/9										
Kw P ₁	18.6	20.1	20.5	21.6	21.6	22.4	21.6												
H (m)	150	144	138	129	120	109	85		24/10										
Kw P ₁	20.9	22.0	23.1	23.9	24.2	24.6	24.2												
H (m)	165	159	151	142	133	120	92		24/11										
Kw P ₁	22.7	24.6	25.4	26.1	26.8	27.2	26.1												
H (m)		173	165	156	144	132	101		27/12	MEC100 4" 27	PR 75 4" 27	PM 75 4" 27							
Kw P ₁		26.1	27.6	29.1	20.1	29.8	28.3												
H (m)		187	179	169	156	142	110		27/13										
Kw P ₁		28.7	30.2	31.3	31.3	31.1	30.9												
H (m)		202	193	181	168	153	118		27/14										
Kw P ₁		30.6	31.1	33.6	33.6	34.3	33.2												
2 4 0 0	H (m)	48.5	46	43	39	35.5	31	22		20/4	MEC80 3" 20	80 S 3" 20	PR 50 3" 20	PM 50 3" 20					
	Kw P ₁	6.3	6.7	7.1	7.1	7.1	7.1	6.7											
	H (m)	61	58	54	49.5	44	39	27.5		20/5									
	Kw P ₁	7.9	8.5	8.8	8.9	8.9	8.9	8.2											
	H (m)	73	69.5	65	60	53	47	33		20/6									
	Kw P ₁	9.7	10.4	10.4	11.2	10.8	10.7	10.1											
	H (m)	85	81	75	69	62	55	38.5		20/7									
	Kw P ₁	11.2	11.9	12.4	12.5	12.5	12.5	11.6											
	H (m)	97	92	85	78	71	62	44		20/8									
	Kw P ₁	12.7	13.4	14.2	14.2	14.2	14.2	13.4											
	H (m)	109	104	97	88	80	70	50		20/9									
	Kw P ₁	14.5	15.3	16.4	16.0	16.0	16.0	14.9											
H (m)	121	115	107	99	90	79	55		24/10	MEC80 3" 24	80 S 3" 24	PR 50 3" 24	PM 50 3" 24						
Kw P ₁	15.7	17.2	17.9	18.3	18.3	18.3	16.8												
H (m)	133	127	118	108	98	86	62		24/11										
Kw P ₁	17.2	18.6	20.1	19.8	19.8	19.8	18.3												
H (m)	145	138	128	118	107	94	66		24/12										
Kw P ₁	19.4	20.5	21.3	21.6	21.6	21.6	20.1												
H (m)		150	139	127	116	101	70		27/13	MEC100 4" 27	PR 75 4" 27	PM 75 4" 27							
Kw P ₁		21.6	23.1	23.5	23.5	23.1	20.9												
H (m)		161	150	137	125	110	77		27/14										
Kw P ₁		23.1	25.0	25.0	24.8	25.0	23.5												
H (m)		173	160	147	134	116	81		27/15										
Kw P ₁		25.4	26.8	26.8	26.8	26.9	24.6												
H (m)		184	171	158	143	125	86.5		27/16										
Kw P ₁		26.8	28.3	28.7	28.7	28.7	26.1												
H (m)		196	182	167	151	132	92		27/17										
Kw P ₁		28.3	30.6	30.6	30.6	30.6	27.8												
H (m)		207	193	176	160	140	97		27/18										
Kw P ₁		29.8	32.1	32.4	32.4	32.1	29.4												
H (m)		218	204	186	169	148	103		27/19										
Kw P ₁		32.1	33.9	34.3	34.3	33.9	31.3												
H (m)		229	215	196	178	156	108		27/20										
Kw P ₁		33.9	35.8	36.2	36.2	35.4	33.2												

Serie MEC 100 7"



Dati tecnici / Technical data / Datos técnicos / Données techniques

r p m		Portata / Flow rate / Caudal / Débit														
		l/sec.	11.7	13.3	15	16.7	20	23.3	26.7							30
		m³/h	42	48	54	60	72	84	96							108
		l/min.	700	800	900	1000	1200	1400	1600	1800						
2 9 0 0	H (m)	38.5	38	37	36	33	30	25	21	20/2	MEC100 4" 20	100 S 4" 20	PR 50 4" 20	PM 50 4" 20	100 B2/20	
	Kw P ₁	7.2	7.8	8.2	8.6	9.2	9.9	9.7	10.1	20/3					100 B2/20	
	H (m)	58	57	56	54	50	44.5	38	31	20/4					100 B3/20	
	Kw P ₁	10.7	11.6	12.1	12.7	13.6	14.7	14.8	14.8	24/5					100 C1/24	
	H (m)	77	76	74	72	66	59	50	41	24/6					100 C1/24	
	Kw P ₁	13.9	14.9	15.7	16.8	17.9	18.6	19.4	18.9	24/7					100 C1/24	
	H (m)	96	95	93	90	83	74	63	52	27/8					100 C2/27	
	Kw P ₁	17.4	18.6	19.7	20.9	22.4	23.3	24.1	23.7	27/9					100 C2/27	
	H (m)	116	114	112	108	100	89	76	62	27/10						
	Kw P ₁	20.9	22.4	23.9	24.3	26.8	28.3	28.9	28.6	27/11						
	H (m)	135	133	130	126	116	104	88	72							
Kw P ₁	24.6	26.1	27.6	29.1	31.3	32.8	33.8	33.4								
H (m)	154	152	148	144	133	119	101	82								
Kw P ₁	27.8	29.8	31.5	33.6	35.8	37.5	38.8	37.9								
H (m)	175	171	167	162	150	133	113	95								
Kw P ₁	31.6	33.6	35.3	37.3	40.3	42.5	43.5	42.8								
H (m)	194	190	185	180	166	148	127	105								
Kw P ₁	35.0	37.3	39.5	41.3	44.7	47.0	48.0	47.6								
H (m)		209	204	198	183	163	140	116								
Kw P ₁		41.0	43.5	45.5	49.2	51.8	52.9	52.5								
2 6 0 0	H (m)	31.4	31	30	28.5	25.5	22	18	13	20/2	MEC100 4" 20	100 S 4" 20	PR 50 4" 20	PM 50 4" 20		
	Kw P ₁	5.7	6.0	6.3	6.6	7.5	7.5	7.2	7.2	20/3						
	H (m)	47.5	46.5	44.5	43	38	33	27	19.5	20/4						
	Kw P ₁	8.4	8.9	9.5	9.8	10.5	11.0	11.2	10.7	20/5						
	H (m)	63	62	60	57	51	44	36	26	24/6						
	Kw P ₁	11.0	11.9	12.5	13.0	13.6	14.2	14.3	14.2	24/7						
	H (m)	79	77	74	71	64	55	45	32.5	24/8						
	Kw P ₁	13.7	14.9	15.7	16.4	17.2	17.9	17.9	18.0	24/9						
	H (m)	95	93	89	85	76	66	54	39	27/10						
	Kw P ₁	16.3	17.9	18.6	19.7	20.4	21.6	21.6	21.6	27/11						
	H (m)	111	109	104	100	89	77	63	45.5	27/12						
	Kw P ₁	19.4	20.9	21.9	23.1	23.9	24.9	24.9	24.9	27/13						
	H (m)	126	124	119	114	102	88	72	52	27/14						
	Kw P ₁	21.9	23.9	24.9	26.1	27.6	28.6	28.6	28.6							
H (m)	142	140	134	129	115	99	81	58								
Kw P ₁	24.9	26.8	28.3	29.4	30.9	32.4	32.1	32.1								
H (m)	158	155	149	143	128	110	90	65								
Kw P ₁	27.6	29.7	31.2	32.8	34.3	35.7	35.7	35.7								
H (m)	174	170	164	157	141	121	99	72								
Kw P ₁	32.8	32.8	34.3	36.1	40.3	39.5	39.1	39.1								
H (m)	190	186	179	172	154	132	108									
Kw P ₁	33.1	35.8	40.3	39.5	41.0	42.8	42.9									
H (m)	206	202	194	186	166	143	117									
Kw P ₁	35.8	38.6	40.6	42.5	44.6	46.5	46.1									
H (m)			209	200	179	154	126									
Kw P ₁			43.9	45.8	47.9	50.2	49.9									
2 4 0 0	H (m)	38.5	37.5	35.5	33.5	29	24	18		20/3	MEC100 4" 20	100 S 4" 20	PR 50 4" 20	PM 50 4" 20		
	Kw P ₁	6.5	6.9	87.5	7.8	8.1	8.3	8.2		20/4						
	H (m)	51	50	47.5	45	38.5	32	24		20/5						
	Kw P ₁	8.5	9.1	9.6	10.1	10.6	10.7	10.7		20/6						
	H (m)	64	62	60	56	48	39.5	29.5		24/7						
	Kw P ₁	10.7	11.4	12.0	12.7	13.3	13.4	13.4		24/8						
	H (m)	77	75	71	67	58	47.5	35.5		24/9						
	Kw P ₁	12.8	13.7	14.5	15.2	16.0	16.0	16.0		27/10						
	H (m)	90	87	83	78	67	56	42		27/11						
	Kw P ₁	14.9	16.0	16.7	17.9	18.6	18.9	19.0		27/12						
	H (m)	102	100	95	90	77	64	48		27/13						
	Kw P ₁	17.2	18.2	19.4	20.1	21.2	21.6	21.8		27/14						
	H (m)	115	112	107	101	87	72	54.5		27/15						
	Kw P ₁	19.4	20.4	21.6	22.7	23.9	24.2	24.2		27/16						
	H (m)	128	124	119	112	97	80	60		27/17						
	Kw P ₁	21.6	23.1	24.2	25.4	26.8	26.8	26.8		27/18						
	H (m)	141	137	131	123	106	87	65.5								
	Kw P ₁	23.4	25.3	24.2	27.9	29.4	29.8	29.5								
H (m)	154	149	143	134	116	95	71									
Kw P ₁	25.7	27.6	29.1	30.6	32.1	32.4	32.0									
H (m)	166	162	155	146	125	103	77.5									
Kw P ₁	27.9	29.8	31.2	32.8	34.6	35.0	35.0									
H (m)	179	174	167	157	135	111	83.5									
Kw P ₁	30.1	32.1	33.1	35.3	37.1	37.7	37.7									
H (m)	192	187	178	168	145	119	89.5									
Kw P ₁	32.1	34.3	36.1	37.9	39.8	39.8	29.9									
H (m)	205	199	190	179	154	127	95.5									
Kw P ₁	34.3	36.8	38.6	40.5	42.8	43.3	43.0									
H (m)			202	190	164	135	101.5									
Kw P ₁			41.0	53.2	45.4	45.7	45.5									
H (m)			214	201	173	143	107									
Kw P ₁			43.6	46.9	48.1	48.2	48.2									

Serie MEC 80M 8''



Dati tecnici / Technical data / Datos técnicos / Données techniques

r p m		Portata / Flow rate / Caudal / Débit														
		l/sec.	8.3	9.2	10	11.7	13.3	15	16.7							18.3
		m³/h	30	33	36	42	48	54	60							66
		l/min.	500	550	600	700	800	900	1000	1100						
2 9 0 0	H (m)			23	22	21	20.5	19.5	18	20/1						
	Kw P ₁			4.3	4.5	4.8	5.1	5.2	5.7							
	H (m)			46	44	42.5	41	38.5	36.5	20/2						
	Kw P ₁			8.4	8.9	9.5	10.1	10.4	10.7		MEC80	80 S	PR 50	PM 50		
	H (m)			69	66	64	61	58	55	20/3	3" 20	3" 20	3" 20	3" 20		
	Kw P ₁			12.1	13.0	13.9	14.6	15.3	15.7							
	H (m)			92	88	85	82	77	73	20/4						
	Kw P ₁			16.0	17.2	18.3	19.4	20.1	20.9							
	H (m)			115	111	106	103	96	91	20/5						
	Kw P ₁			20.1	21.6	22.7	23.9	25.4	26.1							
H (m)			138	132	127	122	116	109	24/6	MEC80	80 S	PR 50	PM 50			
Kw P ₁			23.9	26.1	27.6	28.7	30.2	31.3		3" 24	3" 24	3" 24	3" 24			
2 6 0 0	H (m)		19	18.5	18	17.5	16.5	15	14	20/1						
	Kw P ₁		3.1	3.3	3.4	3.7	3.9	4.0	4.1							
	H (m)		38	37.5	36	34.5	32.5	30.5	28	20/2						
	Kw P ₁		6.1	6.5	6.9	7.5	7.6	7.9	8.0							
	H (m)		57	56	54	52	49	45.5	42	20/3						
	Kw P ₁		9.1	9.6	10.4	11.1	11.6	11.9	12.0		MEC80	80 S	PR 50	PM 50		
	H (m)		76	75	72	69	65	61	56	20/4	3" 20	3" 20	3" 20	3" 20		
	Kw P ₁		11.9	12.5	13.6	14.4	15.1	15.6	15.6							
	H (m)		95	93	90	86	81	76	70	20/5						
	Kw P ₁		14.8	15.5	17.0	18.0	18.8	19.2	19.5							
H (m)		114	112	108	104	98	91	84	20/6							
Kw P ₁		18.1	18.9	20.4	21.8	22.8	23.3	23.8								
H (m)		133	131	126	121	114	106	98	24/7	MEC80	80 S	PR 50	PM 50			
Kw P ₁		21.1	21.8	23.8	25.6	25.6	27.1	26.8		3" 24	3" 24	3" 24	3" 24			
H (m)		152	150	144	138	130	121	112	24/8							
Kw P ₁		24.1	25.2	27.4	28.9	30.5	31.2	31.5								
2 4 0 0	H (m)	15.5	15.5	15	14	13.5	12	11		20/1						
	Kw P ₁	2.5	2.7	2.8	2.9	3.1	3.1	3.2								
	H (m)	31.5	31	30	28.5	26.5	24.5	22		20/2						
	Kw P ₁	4.8	5.0	5.2	5.6	5.9	6.0	6.1								
	H (m)	47	46	45	42.5	40	36.5	33.5		20/3						
	Kw P ₁	7.1	7.4	7.7	8.3	8.7	8.9	9.2								
	H (m)	63	62	60	57	53	49	44.5		20/4	MEC80	80 S	PR 50	PM 50		
	Kw P ₁	9.2	9.5	10.0	10.7	11.3	11.6	11.9		3" 20	3" 20	3" 20	3" 20			
	H (m)	78	77	75	71	66	61	55		20/5						
	Kw P ₁	11.6	11.9	12.5	13.4	14.2	14.5	14.9								
H (m)	96	93	90	85	80	73	66		20/6							
Kw P ₁	13.9	14.3	14.9	16.0	17.2	17.5	17.9									
H (m)	110	108	105	100	93	86	78		20/7							
Kw P ₁	16.0	16.8	17.5	18.6	19.8	20.5	20.9									
H (m)	126	123	120	114	106	98	89		24/8							
Kw P ₁	18.6	19.0	20.1	21.6	22.7	23.1	23.9									
H (m)	141	139	135	128	120	110	100		24/9	MEC80	80 S	PR 50	PM 50			
Kw P ₁	20.9	21.6	22.4	24.2	25.4	26.1	26.8		3" 24	3" 24	3" 24	3" 24				
H (m)	157	154	150	142	133	122	111		24/10							
Kw P ₁	23.1	23.9	25.0	26.8	28.3	29.1	29.8									

H (m)
Prevalenza
Head
Altura man.
Hauteur man.

Kw P₁
Potenza assorbita in Kw
Power input in Kw
Potencia absorbida en Kw
Puissance absorbée en Kw

Modifiche tecniche senza obbligo di preavviso / Technical modifications without prior notice / Variaciones técnicas sin obligación de aviso previo / Changements techniques sans obligation de préavis

Serie MEC 100 8''



Dati tecnici / Technical data / Datos técnicos / Données techniques

r p m		Portata / Flow rate / Caudal / Débit														
		l/sec.	11.7	13.3	15	16.7	20	21.7	23.3							26.7
		m³/h	42	48	54	60	72	78	84							96
		l/min.	700	800	900	1000	1200	1300	1400	1600						
2 9 0	H (m)		22	21	20.5	18	17	15.5	12	20/1						
	Kw P ₁		4.8	5.1	5.2	5.4	5.4	5.4	5.3							
	H (m)		44	42	40.5	36.5	34	31	24.5	20/2	MEC100 4" 20	100 S 4" 20	PR 50 4" 20	PM 50 4" 20		
	Kw P ₁		9.6	10.1	10.3	10.7	10.7	10.8	10.4							
	H (m)		66	63	61	55	51	46.5	36.5	20/3						
	Kw P ₁		14.2	14.8	15.3	16.0	16.0	16.0	15.3							
	H (m)		88	84	81	73	68	62	49	20/4						
	Kw P ₁		18.6	19.4	20.1	20.9	20.9	20.9	20.1							
	H (m)		110	105	101	91	85	78	62	24/5	MEC100 4" 24	100 S 4" 24	PR 50 4" 24	PM 50 4" 24		
	Kw P ₁		23.1	24.2	25.0	26.1	26.1	26.1	25.4							
	H (m)		132	127	122	109	101	93	74	24/6						
	Kw P ₁		28.0	29.1	29.8	31.3	31.3	31.3	30.6							
H (m)		154	147	141	127	119	109	86	24/7							
Kw P ₁		32.4	33.9	35.0	36.5	36.5	36.5	35.4								
2 6 0	H (m)	19	18	17.5	16.5	14	12	11	20/1							
	Kw P ₁	3.7	3.8	3.9	4.0	4.0	4.0	4.0								
	H (m)	38	36.5	34.2	33	28	25	21.5	20/2	MEC100 4" 20	100 S 4" 20	PR 50 4" 20	PM 50 4" 20			
	Kw P ₁	7.2	7.5	7.6	7.7	8.1	8.1	7.9								
	H (m)	58	55	52	49.5	42	37.5	32.5	20/3							
	Kw P ₁	10.8	11.3	11.6	11.9	12.1	12.1	11.9								
	H (m)	77	73	69	66	56	50	43	20/4							
	Kw P ₁	14.2	14.5	15.1	15.7	15.9	15.9	15.7								
	H (m)	97	91	87	83	70	63	54	20/5							
	Kw P ₁	17.9	18.6	19.0	19.4	20.1	20.1	19.4								
	H (m)	116	109	104	99	84	75	65	20/6	MEC100 4" 24	100 S 4" 24	PR 50 4" 24	PM 50 4" 24			
	Kw P ₁	21.1	21.8	22.6	23.3	23.3	23.7	23.3								
H (m)	135	127	121	115	98	89	76	24/7								
Kw P ₁	24.6	25.5	26.2	27.0	27.7	27.7	27.0									
H (m)	154	145	138	132	112	100	87	24/8								
Kw P ₁	28.3	29.2	30.6	31.3	32.1	32.1	31.3									
2 4 0	H (m)	15	14.5	13.5	12.5	9.8	8.3		20/1							
	Kw P ₁	2.8	2.9	3.0	3.0	3.0	3.0									
	H (m)	30.5	29	27	25	19.5	16.5		20/2	MEC100 4" 20	100 S 4" 20	PR 50 4" 20	PM 50 4" 20			
	Kw P ₁	5.7	5.8	6.0	6.0	6.0	6.0									
	H (m)	45.5	43.5	41	37.5	29.5	25		20/3							
	Kw P ₁	8.4	8.7	9.0	9.0	9.0	9.0									
	H (m)	61	58	55	50	39	33		20/4							
	Kw P ₁	11.2	11.6	11.9	11.9	11.9	11.9									
	H (m)	76	73	68	63	49	41.5		20/5							
	Kw P ₁	13.9	14.3	14.9	14.9	14.9	14.9									
	H (m)	91	87	82	75	59	50		24/6							
	Kw P ₁	16.8	17.2	17.9	17.9	17.9	17.9									
H (m)	106	101	95	88	69	58		24/7	MEC100 4" 24	100 S 4" 24	PR 50 4" 24	PM 50 4" 24				
Kw P ₁	19.4	20.1	20.9	20.9	20.9	20.9										
H (m)	122	116	109	100	79	67		24/8								
Kw P ₁	22.4	23.1	23.9	23.9	23.9	23.9										
H (m)	137	130	122	113	88	75		24/9								
Kw P ₁	25.4	25.7	26.8	26.8	26.8	26.8										
H (m)	152	145	136	125	98	83		24/10								
Kw P ₁	28.0	28.7	29.8	29.8	29.8	29.8										

H (m)
Prevalenza
Head
Altura man.
Hauteur man.

Kw P₁
Potenza assorbita in Kw
Power input in Kw
Potencia absorbida en Kw
Puissance absorbée en Kw

Modifiche tecniche senza obbligo di preavviso / Technical modifications without prior notice / Variaciones técnicas sin obligación de aviso previo / Changements techniques sans obligation de préavis

Serie MEC 125E 8"



Dati tecnici / Technical data / Datos técnicos / Données techniques

r p m		Portata / Flow rate / Caudal / Débit														
		l/sec.	13.3	16.7	20	23.3	26.7	30	33.3							36.7
		m³/h	48	60	72	84	96	108	120							132
		l/min.	800	1000	1200	1400	1600	1800	2000	2200						
2 9 0 0	H (m)	23	22	21	20	18	15	12.5	9.5	20/1	MEC125 20	125 S 5" 20	PR 50 5" 20	PM 50 5" 20	125 B1/20	
	Kw P ₁	5.6	5.6	6.0	6.0	6.3	6.0	6.0	5.6	20/2					125 B2/20	
	H (m)	46	44	42	39	35	30	25	69	24/3	MEC125 24	125 S 5" 24	PR 50 5" 24	PM 50 5" 24	125 B2/24	
	Kw P ₁	11.1	10.8	11.6	11.9	12.3	11.9	11.2	10.8	24/4					125 C1/24	
	H (m)	69	66	63	58	53	46	38	29	27/5	MEC125 27		PR 75 5" 27	PM 75 5" 27	125 C1/27	
	Kw P ₁	14.9	16.0	17.2	17.5	17.9	17.5	17.2	16.0	27/6					125 C1/27	
	H (m)	92	88	84	78	71	61	51	39	30/7	MEC125 30		PR 75 5" 30	PM 75 5" 30	125 C2/30	
	Kw P ₁	19.4	20.9	22.4	23.5	23.9	23.5	23.1	19.8	30/8						
	H (m)	116	111	106	98	90	77	64	49							
	Kw P ₁	24.6	26.5	28.3	29.5	29.8	29.1	28.3	26.5							
	H (m)	138	134	126	118	106	93	77	58							
	Kw P ₁	29.5	32.1	33.6	35.4	35.8	35.0	33.9	32.1							
H (m)	162	155	148	138	124	108	90	68								
Kw P ₁	34.3	37.3	39.9	41.0	41.8	41.0	39.9	37.7								
H (m)	185	179	170	156	142	124	102	78								
Kw P ₁	39.1	42.5	45.5	47.0	47.7	47.0	45.5	42.9								
2 6 0 0	H (m)	17.5	17	15	13	11	9	7.5		20/1	MEC125 20	125 S 5" 20	PR 50 5" 20	PM 50 5" 20		
	Kw P ₁	4.1	4.1	4.5	4.5	4.5	4.5	4.1	20/2							
	H (m)	37	35	32	29	24	20	15		20/3						
	Kw P ₁	8.2	8.6	8.9	9.3	9.3	8.9	8.6	24/4	MEC125 24	125 S 5" 24	PR 50 5" 24	PM 50 5" 24			
	H (m)	56	52	49	45	39	32	24	24/5							
	Kw P ₁	11.9	13.0	13.8	14.2	13.8	13.4	12.7	24/6	MEC125 27		PR 75 5" 27	PM 75 5" 27			
	H (m)	74	71	67	60	52	43	32	27/7							
	Kw P ₁	15.7	16.8	18.3	18.3	18.3	17.5	16.4	27/8	MEC125 30		PR 75 5" 30	PM 75 5" 30			
	H (m)	93	90	84	75	65	54	40	30/9							
	Kw P ₁	19.4	21.3	22.4	22.7	22.4	22.0	20.5	30/10							
	H (m)	113	107	100	90	80	66	49								
	Kw P ₁	23.5	25.4	26.8	27.6	27.2	26.5	25.0								
H (m)	132	127	118	107	93	76	58									
Kw P ₁	27.2	29.8	31.7	32.1	31.7	30.9	29.1									
H (m)	151	145	135	123	107	88	65									
Kw P ₁	31.3	34.7	36.2	36.5	36.2	35.4	33.2									
H (m)	169	163	154	139	120	98	75									
Kw P ₁	35.4	38.0	39.9	41.4	41.0	39.5	37.7									
H (m)	190	182	170	153	134	109	84									
Kw P ₁	38.8	42.9	45.1	45.1	45.1	44.0	41.8									
2 4 0 0	H (m)	15	14	13	11	9.5	7	4.5		20/1	MEC125 20	125 S 5" 20	PR 50 5" 20	PM 50 5" 20		
	Kw P ₁	3.0	3.4	3.4	3.4	3.4	3.0	3.0	20/2							
	H (m)	30	28	26	22	19	14	8.5		20/3						
	Kw P ₁	6.0	6.7	6.7	7.1	6.7	6.3	5.6	20/4	MEC125 24	125 S 5" 24	PR 50 5" 24	PM 50 5" 24			
	H (m)	46	43	39	34	28	21	13.5	24/5							
	Kw P ₁	9.3	9.7	10.1	10.1	10.1	9.3	8.2	24/6	MEC125 27		PR 75 5" 27	PM 75 5" 27			
	H (m)	61	57	52	46	38	28	18	27/8							
	Kw P ₁	11.9	13.0	13.4	13.4	13.0	12.3	11.2	27/9	MEC125 30		PR 75 5" 30	PM 75 5" 30			
	H (m)	76	72	66	57	48	36	22.5	30/11							
	Kw P ₁	14.9	16.0	16.8	16.8	16.4	15.3	13.8	30/12							
	H (m)	92	86	79	71	57	43	27								
	Kw P ₁	18.3	19.4	20.1	20.5	20.5	18.6	16.4								
H (m)	107	101	92	80	67	50	31									
Kw P ₁	21.3	22.7	23.5	23.9	23.1	21.6	19.4									
H (m)	123	115	106	92	76	57	36									
Kw P ₁	24.2	26.1	27.2	27.2	26.5	25.4	22.0									
H (m)	138	130	119	103	86	65	41									
Kw P ₁	27.2	29.5	30.6	30.6	29.8	28.0	25.0									
H (m)	154	144	132	115	96	72	45									
Kw P ₁	30.6	32.8	33.9	33.9	33.2	30.9	27.6									
H (m)	168	161	146	127	105	79	50.5									
Kw P ₁	33.6	36.2	37.3	37.7	36.5	34.3	30.6									
H (m)	184	174	159	138	115	88	54									
Kw P ₁	36.5	42.5	40.6	41.0	39.9	37.3	33.2									

H (m)
Prevalenza
Head
Altura man.
Hauteur man.

Kw P₁
Potenza assorbita in Kw
Power input in Kw
Potencia absorbida en Kw
Puissance absorbée en Kw

Modifiche tecniche senza obbligo di preavviso / Technical modifications without prior notice / Variaciones técnicas sin obligación de aviso previo / Changements techniques sans obligation de préavis

Serie MEC 125 8"



Dati tecnici / Technical data / Datos técnicos / Données techniques

r p m		Portata / Flow rate / Caudal / Débit														
		l/sec.	20	23.3	26.7	30	33.3	36.7	40	43.3						
		m ³ /h	72	84	96	108	120	132	144	156						
		l/min.	1200	1400	1600	1800	2000	2200	2400	2600						
2 9 0 0	H (m)	23	22.5	21.5	20.5	19.5	18	16	14	20/1	MEC125 20	125 S 5" 20	PR 50 5" 20	PM 50 5" 20	125 B2/20	
	Kw P ₁	7.1	7.5	7.8	8.3	8.6	8.7	8.8	8.9	20/2						
	H (m)	47	46	44.5	42.5	39.5	36	33	29	20/2	MEC125 24	125 S 5" 24	PR 50 5" 24	PM 50 5" 24	125 B2/20	
	Kw P ₁	14.2	14.9	15.7	16.4	17.2	17.4	17.4	17.4	24/3						
	H (m)	70.5	69.5	66.5	63.5	59.5	54.5	49.5	44	24/3	MEC125 27	125 S 5" 27	PR 75 5" 27	PM 75 5" 27	125 C1/24	
	Kw P ₁	20.9	22.0	23.5	24.2	25.0	25.7	26.1	26.1	24/4						
	H (m)	94	92	89	85	79	72	65	58	24/4	MEC125 30	125 S 5" 30	PR 75 5" 30	PM 75 5" 30	125 C1/27	
	Kw P ₁	28.5	29.5	30.9	32.4	33.6	33.2	34.7	34.7	27/5						
	H (m)	117	114	110	105	97	89	81	72	27/5	MEC125 27	125 S 5" 27	PR 75 5" 27	PM 75 5" 27	125 C2/27	
	Kw P ₁	33.9	35.8	38.0	39.5	41.0	41.8	42.5	42.5	27/6						
	H (m)	142	138	133	127	118	109	98	87	27/6	MEC125 30	125 S 5" 30	PR 75 5" 30	PM 75 5" 30		
	Kw P ₁	41.0	43.3	46.2	47.7	49.6	50.7	51.5	51.5	30/7						
H (m)	164	160	155	148	138	127	114	100	30/7	MEC125 30	125 S 5" 30	PR 75 5" 30	PM 75 5" 30			
Kw P ₁	47.4	50.0	53.7	55.2	57.4	58.9	57.7	59.7	30/8							
H (m)	189	183	177	169	156	144	130	115	30/8							
Kw P ₁	54.4	57.4	61.9	63.4	66.4	67.9	68.6	68.6								
2 6 0 0	H (m)	19	18	17	16	15	13	12	20/1	MEC125 20	125 S 5" 20	PR 50 5" 20	PM 50 5" 20			
	Kw P ₁	5.6	6.0	6.2	6.3	6.6	6.7	6.7	20/2							
	H (m)	39	37	35	33	30	27	23	20/2	MEC125 24	125 S 5" 24	PR 50 5" 24	PM 50 5" 24			
	Kw P ₁	11.2	11.9	12.3	12.7	12.9	13.3	13.4	20/3							
	H (m)	58	56	53	49	45	40	35	20/3	MEC125 27	125 S 5" 27	PR 75 5" 27	PM 75 5" 27			
	Kw P ₁	16.8	17.9	18.3	18.3	19.4	19.7	20.1	24/4							
	H (m)	77	75	71	66	60	54	47	24/4	MEC125 30	125 S 5" 30	PR 75 5" 30	PM 75 5" 30			
	Kw P ₁	21.6	23.1	23.9	24.6	25.4	26.1	26.1	24/5							
	H (m)	96	92	88	81	74	66	58	24/5	MEC125 27	125 S 5" 27	PR 75 5" 27	PM 75 5" 27			
	Kw P ₁	27.2	28.7	29.8	31.3	32.1	32.8	32.8	27/6							
	H (m)	115	112	105	98	89	80	70	27/6	MEC125 30	125 S 5" 30	PR 75 5" 30	PM 75 5" 30			
	Kw P ₁	32.8	35	35.8	37.3	38.0	38.8	39.5	27/7							
H (m)	135	130	124	116	105	94	82	27/7	MEC125 27	125 S 5" 27	PR 75 5" 27	PM 75 5" 27				
Kw P ₁	38.0	40.0	41.8	43.3	44.7	45.5	45.5	27/8								
H (m)	155	149	142	132	120	108	94	27/8	MEC125 30	125 S 5" 30	PR 75 5" 30	PM 75 5" 30				
Kw P ₁	44.0	46.2	48.5	50.0	50.7	52.2	52.2	30/9								
H (m)	173	167	159	148	134	121	105	30/9	MEC125 30	125 S 5" 30	PR 75 5" 30	PM 75 5" 30				
Kw P ₁	49.2	52.2	54.1	55.6	57.0	58.5	58.5	30/10								
H (m)	194	187	178	165	150	135	118	30/10								
Kw P ₁	55.2	58.2	60.4	62.6	64.1	64.9	65.6									
2 4 0 0	H (m)	15	14	13	12				20/1	MEC125 20	125 S 5" 20	PR 50 5" 20	PM 50 5" 20			
	Kw P ₁	4.4	4.6	4.9	5.1				20/2							
	H (m)	30	28	26	24	23			20/2	MEC125 24	125 S 5" 24	PR 50 5" 24	PM 50 5" 24			
	Kw P ₁	10.8	9.1	9.4	9.7	10.1			20/3							
	H (m)	45	42	40	36	33	28		20/3	MEC125 27	125 S 5" 27	PR 75 5" 27	PM 75 5" 27			
	Kw P ₁	12.7	13.4	13.9	14.4	14.6	14.8		20/4							
	H (m)	60	57	53	49	44	38		20/4	MEC125 30	125 S 5" 30	PR 75 5" 30	PM 75 5" 30			
	Kw P ₁	16.4	17.9	18.6	19.4	19.4	19.4		24/5							
	H (m)	74	70	65	60	54	47		24/5	MEC125 24	125 S 5" 24	PR 50 5" 24	PM 50 5" 24			
	Kw P ₁	20.9	21.6	23.1	23.9	23.9	23.9		24/6							
	H (m)	90	85	80	73	66	57		24/6	MEC125 27	125 S 5" 27	PR 75 5" 27	PM 75 5" 27			
	Kw P ₁	24.6	26.1	27.6	28.3	28.3	28.3		24/7							
H (m)	105	99	92	85	76	66		24/7	MEC125 30	125 S 5" 30	PR 75 5" 30	PM 75 5" 30				
Kw P ₁	28.7	30.6	32.1	33.6	33.6	33.6		27/8								
H (m)	120	113	105	96	87	75		27/8	MEC125 27	125 S 5" 27	PR 75 5" 27	PM 75 5" 27				
Kw P ₁	33.6	35.0	36.5	38.0	38.0	38.0		27/9								
H (m)	136	128	120	110	99	86		27/9	MEC125 30	125 S 5" 30	PR 75 5" 30	PM 75 5" 30				
Kw P ₁	37.3	39.5	41.8	42.5	43.3	43.3		27/10								
H (m)	150	141	132	121	109	94		27/10	MEC125 27	125 S 5" 27	PR 75 5" 27	PM 75 5" 27				
Kw P ₁	41.8	44.0	46.2	47.7	47.7	47.7		30/11								
H (m)	165	155	145	133	121	104	82	30/11	MEC125 30	125 S 5" 30	PR 75 5" 30	PM 75 5" 30				
Kw P ₁	45.5	48.5	50.7	52.2	52.9	52.9	52.9	30/12								
H (m)	181	170	160	147	133	114	91	30/12								
Kw P ₁	50.0	52.9	55.2	57.4	58.2	58.2	58.2	58.0								

H (m)
Prevalenza
Head
Altura man.
Hauteur man.

Kw P₁
Potenza assorbita in Kw
Power input in Kw
Potencia absorbida en Kw
Puissance absorbée en Kw

Serie MEC 150 10''



Dati tecnici / Technical data / Datos técnicos / Données techniques

r p m		Portata / Flow rate / Caudal / Débit														
		l/sec.	30	36.7	43.3	50	56.7	63.3	70	76.7						
		m³/h	108	132	156	180	204	228	252	276						
		l/min.	1800	2200	2600	3000	3400	3800	4200	4600						
2 9 0 0	H (m)		23	22	21	19	18	15	12	24/1G	MEC150 6''/24	150 S 6''	PR 50 6''/24	PM 50 6''/24	150 B2/24	
	Kw P ₁		12.7	14.2	14.9	15.7	15.7	15.7	14.9							
	H (m)		28	27	26	24	23	20	16	24/1E						
	Kw P ₁		16.4	17.2	17.2	17.9	18.6	19.4	18.6							
	H (m)		38	38	36	34	33	31	26	24/1A						
	Kw P ₁		23.1	24.6	26.1	26.8	27.6	28.3	28.3							
	H (m)		50	49	46	42	39	33	29	24/2F						
	Kw P ₁		29.8	30.6	31.3	32.1	32.8	33.6	33.6							
	H (m)		58	56	54	51	49	41	34	30/2DE	MEC150 6''/30	PR 75 6''/30	PM 75 6''/30	150 C1/24		
	Kw P ₁		35.0	36.5	36.5	39.5	40.3	40.3	39.5							
H (m)		60	59	58	55	51	46	39	30/2D							
Kw P ₁		35.8	36.5	37.3	38.8	42.5	43.3	43.3								
H (m)		68	65	62	60	55	51	43	30/2C	PR 100 6''/30	PM 75 6''/30	150 C2/30				
Kw P ₁		38.0	40.3	42.5	44.7	46.2	47.0	47.7								
H (m)		115	112	108	103	97	91	80	30/3A	PR 100 6''/30	PM 75 6''/30	150 D1/30				
Kw P ₁		67.1	73.1	78.3	80.5	82.8	84.3	85.8								
H (m)		128	124	120	117	108	100	92	76					150 D2/30		
Kw P ₁		68.0	72.0	76.0	80.0	84.0	88.0	88.0	88.0							
2 6 0 0	H (m)		32	31	30	29	27	25	23	19	24/1A	MEC150 6''/24	150 S 6''	PR 50 6''/24	PM 50 6''/24	
	Kw P ₁		17.0	18.0	19.0	20.0	20.0	21.0	22.0	22.0						
	H (m)		64	62	60	58	54	50	46	38	30/2A	MEC150 6''/30	PR 75 6''/30	PM 75 6''/30		
	Kw P ₁		34.0	36.0	38.0	40.0	40.0	42.0	44.0	44.0						
	H (m)		96	93	90	87	81	75	69	57	30/3A	PR 100 6''/30	PM 75 6''/30			
	Kw P ₁		51.0	54.0	57.0	60.0	60.0	63.0	66.0	66.0						
	H (m)		128	124	120	117	108	100	92	76	30/4A					
	Kw P ₁		68.0	72.0	76.0	80.0	84.0	88.0	88.0	88.0						
2 4 0 0	H (m)		26	25	24	23	21	18.5	17	14	24/1	MEC150 6''/24	150 S 6''	PR 50 6''/24	PM 50 6''/24	
	Kw P ₁		12.7	14.2	14.9	15.7	16.4	16.4	17.2	16.4						
	H (m)		54	52	49	47	43	38	34	28	24/2	MEC150 6''/30	PR 75 6''/30	PM 75 6''/30		
	Kw P ₁		25.4	26.8	29.1	30.6	31.3	32.1	32.8	32.1						
	H (m)		80	78	74	70	64.5	57	50	42	30/3	PR 100 6''/30	PM 75 6''/30			
	Kw P ₁		37.3	39.5	42.5	44.7	46.2	47.7	48.5	47.7						
	H (m)		107	104	100	94	85	76	68	56	30/4					
	Kw P ₁		48.5	52.9	55.9	58.9	61.1	62.6	63.4	62.6						
2 2 0 0	H (m)		22	21	20	19	17	15	12		24/1	MEC150 6''/24	150 S 6''	PR 50 6''/24	PM 50 6''/24	
	Kw P ₁		10.4	11.2	11.9	12.7	13.4	12.7	12.7							
	H (m)		44	42	40	38	34	31	24	24	24/2	MEC150 6''/30	PR 75 6''/30	PM 75 6''/30		
	Kw P ₁		20.1	22.4	23.1	24.6	24.6	25.4	24.6							
	H (m)		67	64	62	57	50	47	35	36.5	30/3	PR 100 6''/30	PM 75 6''/30			
	Kw P ₁		29.8	32.8	34.3	35.8	36.5	37.3	36.5							
	H (m)		90	86	82	76	68	64	48		30/4					
	Kw P ₁		38.8	42.5	44.7	47.0	48.5	50.0	50.0							
H (m)		110	107	102	95	85	77	59		30/5						
Kw P ₁		48.5	52.9	56.7	59.7	61.1	61.9	61.9								
2 0 0 0	H (m)		18	17	16	14	12	10			24/1	MEC150 6''/24	150 S 6''	PR 50 6''/24	PM 50 6''/24	
	Kw P ₁		8.2	8.9	9.3	9.7	10.1	9.7								
	H (m)		36	34	32	28	25	21			24/2	MEC150 6''/30	PR 75 6''/30	PM 75 6''/30		
	Kw P ₁		15.7	17.2	17.9	18.6	19.0	18.6								
	H (m)		54	51	48	43	38	32			24/3	PR 100 6''/30	PM 75 6''/30			
	Kw P ₁		23.1	24.6	26.8	27.6	28.3	28.3								
	H (m)		71	68	64	58	50	42			30/4	MEC150 6''/35	PR 75 6''/30			
	Kw P ₁		29.8	32.8	35.0	36.5	36.9	36.9								
	H (m)		90	85	80	72	63	54			30/5					
	Kw P ₁		37.3	41.0	43.3	45.5	46.2	46.2								
H (m)		107	102	96	87	75	63			30/6						
Kw P ₁		44.7	49.2	52.2	54.4	55.2	55.2									
H (m)		125	119	111	100	87	74			35/7						
Kw P ₁		52.2	57.4	61.1	63.4	64.1	64.1									
H (m)		142	136	126	115	100	83			35/8						
Kw P ₁		59.7	65.6	69.4	72.3	73.1	73.1									







H (m)	Kw P₁
Prevalenza	Potenza assorbita in Kw
Head	Power input in Kw
Altura man.	Potencia absorbida en Kw
Hauteur man.	Puissance absorbée en Kw

Modifiche tecniche senza obbligo di preavviso / Technical modifications without prior notice / Variaciones técnicas sin obligación de aviso previo / Changements techniques sans obligation de préavis

Serie MEC 150M 10''



Dati tecnici / Technical data / Datos técnicos / Données techniques

r p m		Portata / Flow rate / Caudal / Débit																
		l/sec.	42	50	59	67	75	83	92	100	108							117
		m ³ /h	150	180	210	240	270	300	330	360	390							420
		l/min.	2500	3000	3500	4000	4500	5000	5500	6000	6500	7000						
2 9 0 0	H (m)	35	34	32	31	29	27	24	21	17		24/1B	MEC150 6"/24	150 S 6"	PR 50 6" 24	PM 50 6" 24	150 C1/24	
	Kw P ₁	23.1	25.4	26.8	27.6	29.1	29.8	30.6	31.3	30.6		30/1A					PM 75 6" 30	150 C1/30
	H (m)	39	38	36	33	31	28	25	22	21	17		MEC150 6"/30					
	Kw P ₁	27.6	29.1	30.6	33.6	35.8	35.8	36.5	36.5	35.8	35.8							150 D2/30
	H (m)	70	68	64	62	58	54	48	42	34	35							150 D2/30
	Kw P ₁	46.2	50.7	53.7	55.2	58.2	59.7	61.1	62.6	61.1	70.8							150 D2/30
H (m)	78	76	74	70	67	63	56	51	44	35								
Kw P ₁	53.7	56.7	61.1	64.9	67.1	69.4	70.1	71.6	70.8	88.7								
H (m)	97	94	88	84	81	73	62	50										
Kw P ₁	78.3	82.8	86.5	88.0	89.5	91.0	90.2											
2 6 0 0	H (m)	31	30	29	27	25	23	20	17	13		24/1A	MEC150 6"/24	150 S 6"	PR 50 6" 24	PM 50 6" 24		
	Kw P ₁	21.6	22.4	23.9	25.4	26.8	26.8	26.8	26.8	26.8		30/2A					PR 75 6" 30	PM 75 6" 30
	H (m)	63	61	59	56	52	47	41	35	28			MEC125 6"/30					
	Kw P ₁	41.8	44.7	47.7	50.0	52.2	52.9	54.4	53.7	562.9		30/3A				PR 100 6" 30		
H (m)	95	92	89	84	78	71	63	53	42									
Kw P ₁	61.9	66.4	71.6	74.6	76.8	79.0	80.5	79.0	78.3									
2 4 0 0	H (m)	26	25	24	22	20	18	15	11			24/1A	MEC150 6"/24	150 S 6"	PR 50 6" 24	PM 50 6" 24		
	Kw P ₁	16.4	17.9	19.4	20.1	20.9	20.9	21.6	20.9			30/2A					PR 75 6" 30	PM 75 6" 30
	H (m)	50	48	45	40	38	35	29	22				MEC150 6"/30					
	Kw P ₁	32.8	35.8	38.0	39.5	41.0	41.8	41.8	40.3			30/3A						
	H (m)	77	74	71	68	61	53	44	33									
	Kw P ₁	48.5	52.2	55.9	58.9	60.4	61.1	61.9	59.7			30/4A						
H (m)	103	100	96	90	80	71	59	45							PR 100 6" 30			
Kw P ₁	64.1	68.6	74.6	78.3	79.0	80.5	80.5	78.3										
2 2 0 0	H (m)	22	21	20	18	16	13	10				24/1A	MEC150 6"/24	150 S 6"	PR 50 6" 24	PM 50 6" 24		
	Kw P ₁	13.4	14.9	15.7	16.4	16.4	16.4	15.7				24/2A						
	H (m)	43	42	39	35	31	26	19					MEC150 6"/30					
	Kw P ₁	26.1	28.3	30.6	31.3	32.1	32.1	31.3				30/3A				PR 75 6" 30	PM 75 6" 30	
	H (m)	64	63	59	54	47	38	29										
	Kw P ₁	38.8	42.5	44.7	47.0	47.7	47.7	46.2				30/4A						
H (m)	87	82	77	71	62	51	39											
Kw P ₁	51.5	55.9	59.7	61.9	62.6	61.9	61.1				35/5A				PR 100 6" 30			
H (m)	109	104	99	88	77	64	47											
Kw P ₁	63.4	69.4	73.8	76.1	78.3	78.3	76.1											

H (m)
Prevalenza
Head
Altura man.
Hauteur man.

Kw P₁
Potenza assorbita in Kw
Power input in Kw
Potencia absorbida en Kw
Puissance absorbée en Kw

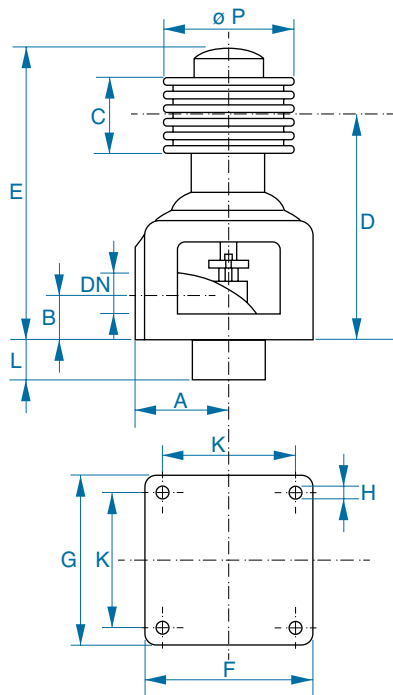
Modifiche tecniche senza obbligo di preavviso / Technical modifications without prior notice / Variaciones técnicas sin obligación de aviso previo / Changements techniques sans obligation de préavis

GRUPPI DI COMANDO CON PULEGGIA VERTICALE

CONTROL UNITS WITH VERTICAL PULLEY

GRUPOS DE MANDO CON POLEA VERTICAL

GROUPES DE COMMANDE AVEC POULIE VERTICALE



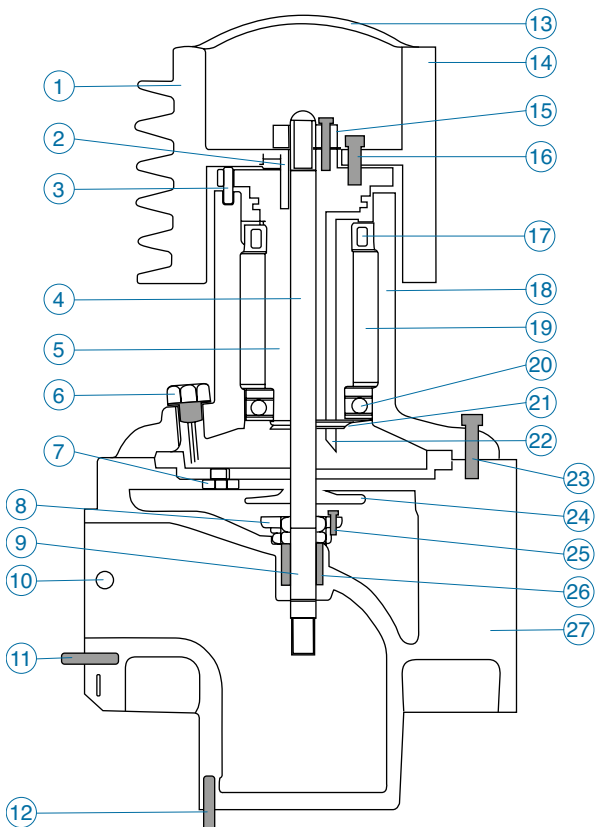
Dimensioni d'ingombro e pesi

Overall dimensions and weights

Dimensiones máximas y pesos

Dimensions d'encombrement et poids

Serie	DN	A	B	C	D	E	F	G	K	H	P	L	kg
MEC- 80S	86	155	69	108	445	510	305	298	258	20	170	108	60.0
MEC-100S	106	155	69	108	445	510	305	298	258	20	170	108	64.0
MEC-125S	138	175	104	108	455	520	360	350	305	20	170	108	75.0
MEC-150S	160	250	104	108	515	680	470	460	360	20	170	95	98.0



Lista parti di ricambio

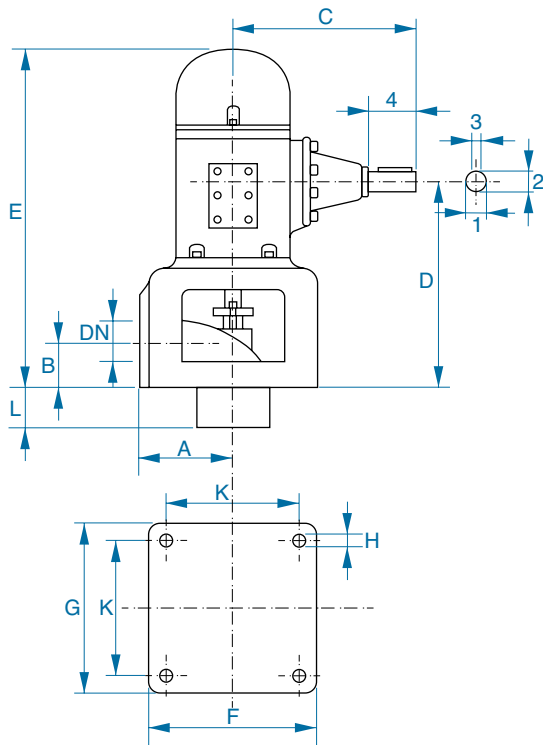
Spare parts list

Lista de repuestos

Liste des pièces de rechange

IT	EN	ES	FR
1 Puleggia a gole	Pulley to grooves	Polea a ranuras	Poulie à rainures
2 Chiavetta	Key	Chaveta	Clavette
3 Nottolini d'arresto	Pawls	Trinquetas de parada	Cliquets d'arrêt
4 Albero testata	Head shaft	Eje de la cabeza	Arbre de la tête
5 Albero cuscinetti	Bearings shaft	Eje de los cojinetes	Arbre des roulements
6 Asta livello d'olio	Oil level dipstick	Varilla de nivel de aceite	Jauge de niveau d'huile
7 Tappo di scarico	Drain plug	Tapón de drenaje	Bouchon de vidange
8 Premitreccia	Watertight seal ring	Anillo de estanqueidad	Anneau d'étanchéité
9 Bussola cromata	Chromium plated bush	Casquillo cromado	Bague chromée
10 Tappo	Plug	Tapón	Bouchon
11 Vite prigioniera	Stud	Espárrago	Goujon
12 Vite prigioniera	Stud	Espárrago	Goujon
13 Coperchio in plastica	Plastic cover	Tapa de plástico	Couvercle en plastique
14 Puleggia piana	Flat pulley	Polea plana	Poulie plate
15 Dado registro	Shaft adjusting ring nut	Tuerca de anillo de ajuste del eje	Écrou de réglage
16 Vite	Screw	Tornillo	Vis
17 Cuscinetto	Bearing	Cojinete	Roulement
18 Supporto puleggia	Pulley support	Soporte de la polea	Support de la poulie
19 Distanziale cuscinetti	Bearings spacer	Espaciador de los cojinetes	Espaceur des roulements
20 Cuscinetto	Bearing	Cojinete	Roulement
21 Anello seeger	Seeger ring	Anillo seeger	Anneau seeger
22 Pesca olio	Oil hose	Manguera de aceite	Tuyau de l'huile
23 Vite	Screw	Tornillo	Vis
24 Disco para acqua	Water seal disk	Plato deflector	Disc déflecteur
25 Vite prigioniera	Stud	Espárrago	Goujon
26 Corda grafitata	Graphited cord	Cuerda de grafito	Tresse graphitée
27 Supporto testata	Head bracket	Soporte de la cabeza	Support de la tête

GRUPPI DI COMANDO CON RINVIO A SQUADRA
CONTROL UNITS WITH RESTART TO ANGLE
GRUPOS DE MANDO CONTRAMARCHA ANGULAR
GROUPES DE COMMANDE AVEC RENVOI À L'ANGLE



Dimensioni d'ingombro e pesi

Overall dimensions and weights

Dimensiones máximas y pesos

Dimensions d'encombrement et poids

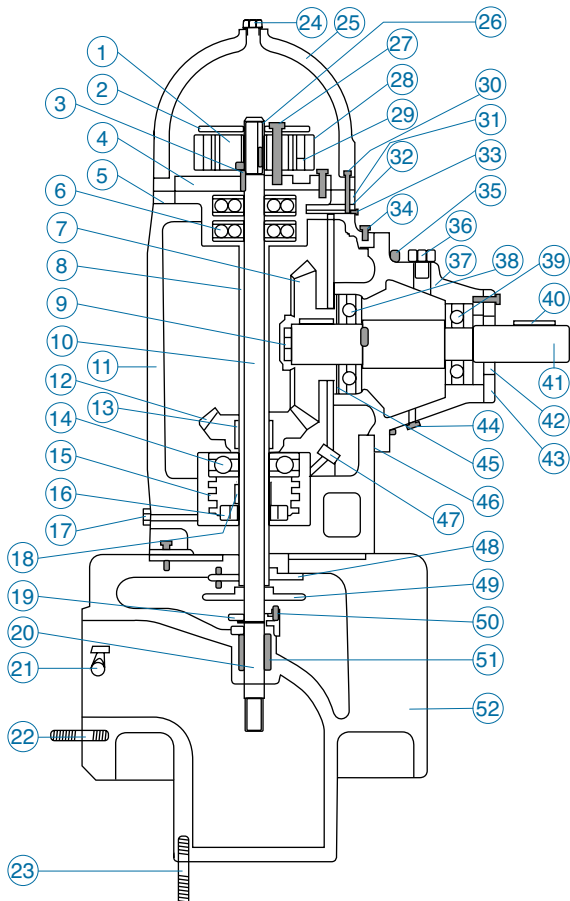
Serie	DN	A	B	C	D	E	F	G	K	H	L	kg
PR50-3"	86	155	69	365	405	710	305	298	258	20	108	112.0
PR50-4"	106	155	69	365	405	710	305	298	258	20	108	115.0
PR75-4"	106	155	69	370	420	760	305	298	258	20	108	135.0
PR50-5"	138	180	104	365	420	720	360	350	305	20	108	116.0
PR75-5"	138	180	104	370	440	780	360	350	305	20	108	146.0
PR50-6"	168	240	139	365	535	880	470	460	400	20	95	138.0
PR75-6"	168	240	139	370	550	895	470	460	400	20	95	165.0
PR100-6"	168	240	139	500	600	1040	470	460	400	20	95	218.0

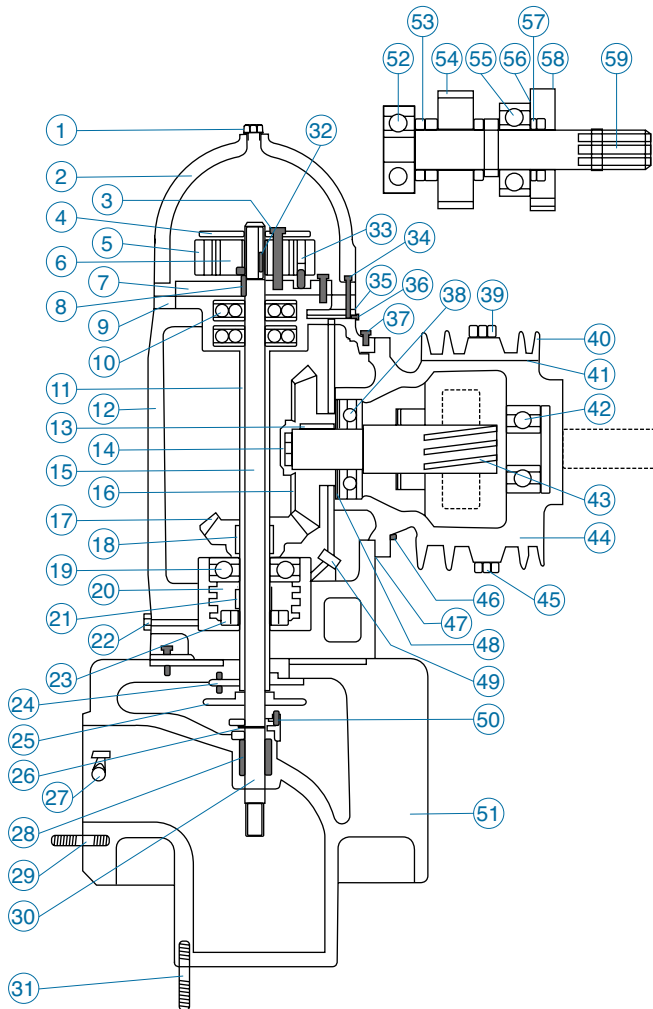
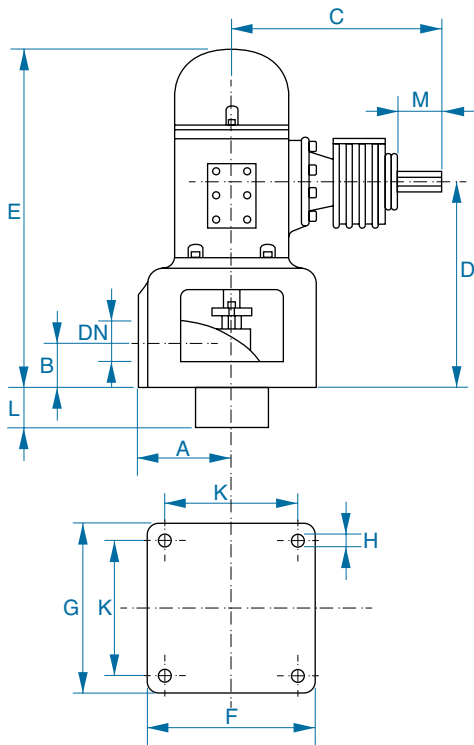
	PR 50-75	PR 75S-100		PR 50	PR 75	PR 100	
Sporgenza d'albero Shaft projection Saliente del eje Saillie d'arbre	1	38	48	Rapporti Ratios Relaciones Rapports	1÷1	1÷1	1÷1
	2	42	54		1÷1.2	1÷1.3	1÷1.2
	3	10	12		1÷1.5	1÷1.41	1÷1.34
	4	80	100		1÷1.67	1÷1.58	1÷1.55
				1÷1.80	1÷1.75	1÷1.64	
				1÷1.95	1÷1.85	1÷1.78	
						1÷2.05	

Lista parti di ricambio / Spare parts list

Lista de repuestos / Liste des pièces de rechange

IT	EN	ES	FR
1 Dado registro	Shaft adjusting ring nut	Tuerca de anillo de ajuste del eje	Écrou de réglage
2 Flangia	Flange	Brida	Bride
3 Chiavetta	Key	Chaveta	Clavette
4 Flangia d'arresto	Stop flange	Brida de parada	Bride d'arrêt
5 Guarnizione	Gasket	Junta	Joint
6 Cuscinetto	Bearing	Cojinete	Roulement
7 Ruota conica	Conic gear	Rueda cónica	Roue conique
8 Albero cuscinetti	Bearings shaft	Eje de los cojinetes	Arbre des roulements
9 Ghiera	Ferrule	Contera	Virole
10 Albero testata	Head shaft	Eje de la cabeza	Arbre de la tête
11 Scatola	Casing	Caja	Carter
12 Pignone conico	Conic pinion	Piñón cónico	Pignon conique
13 Linguetta	Tab	Lengüeta	Languette
14 Cuscinetto	Bearing	Cojinete	Roulement
15 Pompa olio	Oil pump	Bomba de aceite	Pompe de l'huile
16 Ghiera	Ferrule	Contera	Virole
17 Tappo	Plug	Tapón	Bouchon
18 Linguetta	Tab	Lengüeta	Languette
19 Premitreccia	Watertight seal ring	Anillo de estanqueidad	Anneau d'étanchéité
20 Bussola cromata	Chromium plated bush	Casquillo cromado	Bague chromée
21 Rubinetto	Tap	Grifo	Robinet
22 Vite prigioniera	Stud	Espárrago	Goujon
23 Vite prigioniera	Stud	Espárrago	Goujon
24 Tappo con sfiato	Vent plug	Tapón ventilete	Bouchon avec ventilation
25 Cappello	Cover	Cobertura	Couvercle
26 Linguetta	Tab	Lengüeta	Languette
27 Vite	Screw	Tornillo	Vis
28 Coperchio d'arresto	Stop lid	Tapa de parada	Couvercle d'arrêt
29 Nottolino d'arresto	Pawl	Trinquete de parada	Cliquet d'arrêt
30 Vite	Screw	Tornillo	Vis
31 Supporto cuscinetti	Bearings housing	Soporte de los cojinetes	Logement de paliers
32 Guarnizione	Gasket	Junta	Joint
33 Tappo	Plug	Tapón	Bouchon
34 Tappo	Plug	Tapón	Bouchon
35 Vite prigioniera	Stud	Espárrago	Goujon
36 Tappo	Plug	Tapón	Bouchon
37 Supporto cuscinetti	Bearings housing	Soporte de los cojinetes	Logement de paliers
38 Cuscinetto	Bearing	Cojinete	Roulement
39 Cuscinetto	Bearing	Cojinete	Roulement
40 Linguetta	Tab	Lengüeta	Languette
41 Albero orizzontale	Horizontal shaft	Eje horizontal	Arbre horizontal
42 Anello paraolio	Oil seal ring	Anillo sello de aceite	Anneau pare-huile
43 Coperchio supporto	Support cover	Tapa del soporte	Couvercle du support
44 Tappo	Plug	Tapón	Bouchon
45 Flangia	Flange	Brida	Bride
46 Guarnizione	Gasket	Junta	Joint
47 Tubo olio	Oil Hose	Tubo del aceite	Tuyau de l'huile
48 Coperchio con tubetto	Cover with little tube	Tapa con pequeño tubo	Couvercle avec petit tube
49 Para acqua	Waterseal	Protección contra el agua	Défecteur
50 Vite prigioniera	Stud	Espárrago	Goujon
51 Corda grafitata	Graphited cord	Cuerda de grafito	Tresse graphitée
52 Supporto testata	Head bracket	Soporte de la cabeza	Support de la tête





Dimensioni d'ingombro e pesi

Overall dimensions and weights

Dimensiones máximas y pesos

Dimensions d'encombrement et poids

Serie	DN	A	B	C	D	E	F	G	K	H	L	kg
PM50-3"	86	155	69	400	405	710	305	298	258	20	108	118.0
PM50-4"	106	155	69	400	405	710	305	298	258	20	108	123.0
PM75-4"	106	155	69	460	420	760	305	298	258	20	108	143.0
PM50-5"	138	180	104	400	420	710	360	350	305	20	108	135.0
PM75-5"	138	180	104	460	440	780	360	350	305	20	108	155.0
PM50-6"	168	240	139	400	535	880	470	460	400	20	95	143.0
PM75-6"	168	240	139	460	550	990	470	460	400	20	95	170.0

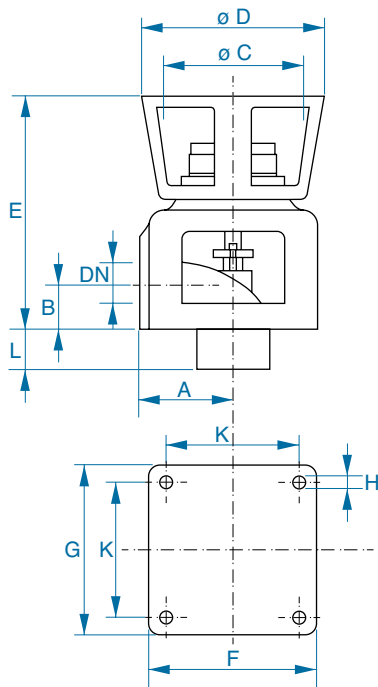
Sporgenza d'albero Shaft projection Saliente del eje Saillie d'arbre	M	Rapporti Ratios Relaciones Rapports	PM 50	PM 75
	65		1 ÷ 4.5 1 ÷ 5.035 1 ÷ 5.4 1 ÷ 5.87	1 ÷ 4 1 ÷ 4.43 1 ÷ 4.96 1 ÷ 5.50

Sporgenza d'albero Shaft projection Saliente del eje Saillie d'arbre	M	Rapporti Ratios Relaciones Rapports	PM 50	PM 75
	1 3/8" DIN 9611		1 ÷ 4.5 1 ÷ 5.035 1 ÷ 5.4 1 ÷ 5.87	1 ÷ 4 1 ÷ 4.43 1 ÷ 4.96 1 ÷ 5.50

Lista parti di ricambio / Spare parts list

Lista de repuestos / Liste des pièces de rechange

IT	EN	ES	FR
1 Tappo con sfiato	Vent plug	Tapón ventilete	Bouchon avec ventilation
2 Cappello	Cover	Casquete de protección	Couvercle
3 Vite	Screw	Tornillo	Vis
4 Flangia	Flange	Brida	Bride
5 Coperchio arresto	Stop lid	Tapa de parada	Couvercle d'arrêt
6 Dado registro	Shaft adjusting ring nut	Tuerca de anillo de ajuste del eje	Écrou de réglage
7 Flangia d'arresto	Stop flange	Brida de parada	Bride d'arrêt
8 Chiavetta	Key	Chaveta	Clavette
9 Supporto cuscinetti	Bearings housing	Soporte de los cojinetes	Logement de paliers
10 Cuscinetti	Bearings	Cojinetes	Roulements
11 Albero cuscinetti	Bearings shaft	Eje de los cojinetes	Arbre des roulements
12 Scatola	Casing	Caja	Carter
13 Linguetta	Tab	Lengüeta	Languette
14 Ghiera	Ferrule	Casquillo	Virole
15 Albero testata	Head shaft	Eje de la cabeza	Arbre de la tête
16 Ruota conica	Conic gear	Rueda cónica	Roue conique
17 Pignone conico	Conic pinion	Piñón cónico	Pignon conique
18 Linguetta	Tab	Lengüetas	Languettes
19 Cuscinetto	Bearing	Cojinete	Roulement
20 Pompa olio	Oil pump	Bomba de aceite	Pompe de l'huile
21 Linguetta	Tab	Lengüetas	Languettes
22 Tappo	Plug	Tapón	Bouchon
23 Ghiera	Ferrule	Casquillo	Virole
24 Coperchio con tubetto	Cover with little tube	Tapa con pequeño tubo	Couvercle avec petit tube
25 Para acqua	Waterseal	Protección contra el agua	Déflecteur
26 Premitreccia	Watertight seal ring	Anillo de estanqueidad	Anneau d'étanchéité
27 Rubinetto	Tap	Grifo	Robinet
28 Corda grafitata	Graphited cord	Cuerda de grafito	Tresse graphitée
29 Vite prigioniera	Stud	Espárrago	Goujon
30 Bussola cromata	Chromium plated bush	Casquillo cromado	Bague chromée
31 Vite prigioniera	Stud	Espárrago	Goujon
32 Linguetta	Tab	Lengüeta	Languette
33 Nottolino d'arresto	Pawl	Trinquete de parada	Cliquet d'arrêt
34 Vite	Screw	Tornillo	Vis
35 Guarnizione	Gasket	Junta	Joint
36 Tappo	Plug	Tapón	Bouchon
37 Tappo	Plug	Tapón	Bouchon
38 Cuscinetto	Bearing	Cojinete	Roulement
39 Tappo	Plug	Tapón	Bouchon
40 Coperchio	Cover	Tapa	Couvercle
41 Guarnizione	Gasket	Junta	Joint
42 Cuscinetto	Bearing	Cojinete	Roulement
43 Albero con pignone	Shaft with pinion	Eje con piñón	Arbre avec pignon
44 Scatola ruota	Gearcasing	Caja ruota	Carter d'engrenage
45 Tappo	Plug	Tapón	Bouchon
46 Vite prigioniera	Stud	Espárrago	Goujon
47 Guarnizione	Gasket	Junta	Joint
48 Flangia	Flange	Brida	Bride
49 Tubo olio	Oil hose	Tubo del aceite	Tuyau de l'huile
50 Vite prigioniera	Stud	Espárrago	Goujon
51 Supporto testata	Head bracket	Soporte de la cabeza	Support de la tête
52 Cuscinetto	Bearing	Cojinete	Roulement
53 Distanziale	Spacer	Espaciador	Espaceur
54 Ruota	Gear	Rueda	Roue
55 Cuscinetto	Bearing	Cojinete	Roulement
56 Guarnizione	Gasket	Junta	Joint
57 Anello paraolio	Oil seal ring	Anillo sello de aceite	Anneau pare-huile
58 Coperchio	Cover	Tapa	Couvercle
59 Albero scanalato	Grooved shaft	Eje a ranuras	Arbre rainuré



Dimensioni d'ingombro e pesi

Overall dimensions and weights

Dimensiones máximas y pesos

Dimensions d'encombrement et poids

Serie	DN	A	B	C	D	E	F	G	K	H	L	kg
MEC-80B1	86	155	69	230	300	450	305	298	258	20	108	75.0
MEC-80B2/3	86	155	69	250	350	475	305	298	258	20	108	78.0
MEC-80C1	86	155	69	300	400	510	305	298	258	20	108	90.0
MEC-100B1	106	155	69	230	300	450	305	298	258	20	108	81.0
MEC-100B2/3	106	155	69	250	350	475	305	298	258	20	108	84.0
MEC-100C1	106	155	69	300	400	510	305	298	258	20	108	96.0
MEC-100C2	106	155	69	350	450	540	305	298	258	20	108	105.0
MEC-125B1	138	180	104	230	300	460	355	350	305	20	108	91.0
MEC-125B2/3	138	180	104	250	350	485	355	350	305	20	108	94.0
MEC-125C1	138	180	104	300	400	520	355	350	305	20	108	119.0
MEC-125C2	138	180	104	350	450	550	355	350	305	20	108	128.0
MEC-150B1	168	240	139	230	300	610	470	460	400	20	95	88.0
MEC-150B2/3	168	240	139	250	350	610	470	460	400	20	95	88.0
MEC-150C1	168	240	139	300	400	650	470	460	400	20	95	127.0
MEC-150C2	168	240	139	350	450	650	470	460	400	20	95	127.0
MEC-150D1/2	168	240	139	450	550	650	470	460	400	20	95	194.0

Dati tecnici accoppiamento motore elettrico (IM B5)

Electric motor coupling technical data (IM B5)

Datos técnicos del acoplamiento del motor eléctrico (IM B5)

Caractéristiques techniques de l'accouplement moteur électrique (IM B5)

2 poli / 2 poles / 2 polos / 2 pôles - 2900 rpm							
Serie MEC 2	B1	B2	B3	C1	C2	D1	D2
P2	5.5	11.0	22.0	30.0	45.0	55.0	75.0
Kw	7.5	15.0		37.0			90.0
	9.3	18.5					

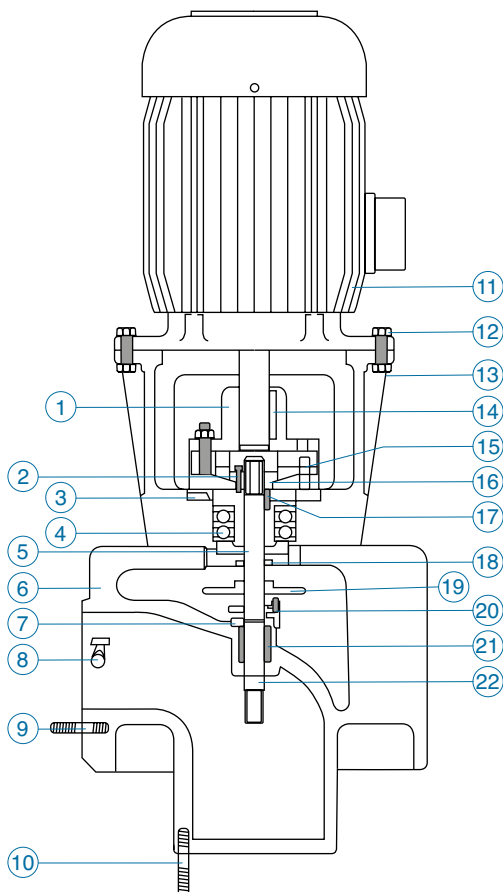
P2 = Potenza resa - Power output - Potencia rendido - Puissance rendue

Lista parti di ricambio

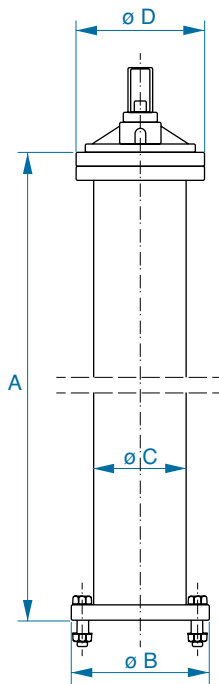
Spare parts list

Lista de repuestos

Liste des pièces de rechange



IT	EN	ES	FR
1 Giunto	Coupling	Acoplamiento	Joint
2 Vite	Screw	Tornillo	Vis
3 Coperchio arresto	Stop lid	Tapa de parada	Couvercle d'arrêt
4 Cuscinetto	Bearing	Cojinete	Roulement
5 Albero testata	Head shaft	Eje de la cabeza	Arbre de la tête
6 Supporto testata	Head bracket	Soporte de la cabeza	Support de la tête
7 Premitreccia	Watertight seal ring	Anillo de estanqueidad	Anneau d'étanchéité
8 Tappo	Plug	Tapón	Bouchon
9 Vite prigioniera	Stud	Espárrago	Goujon
10 Vite prigioniera	Stud	Espárrago	Goujon
11 Motore	Motor	Motor	Moteur
12 Vite	Screw	Tornillo	Vis
13 Supporto di collegamento	Connection support	Soporte de enlace	Support de connexion
14 Linguetta	Tab	Lengüeta	Languette
15 Nottolino d'arresto	Pawl	Trinquete de parada	Cliquet d'arrêt
16 Dado registro	Shaft adjusting ring nut	Tuerca de anillo de ajuste del eje	Écrou de réglage
17 Chiavetta	Key	Chaveta	Clavette
18 Anello paraolio	Oil seal ring	Anillo sello de aceite	Anneau pare-huile
19 Para acqua	Waterseal	Protección contra el agua	Déflecteur
20 Vite prigioniera	Stud	Espárrago	Goujon
21 Corda grafitata	Graphited cord	Cuerda de grafito	Tresse graphitée
22 Bussola cromata	Chromium plated bush	Casquillo cromado	Bague chromée



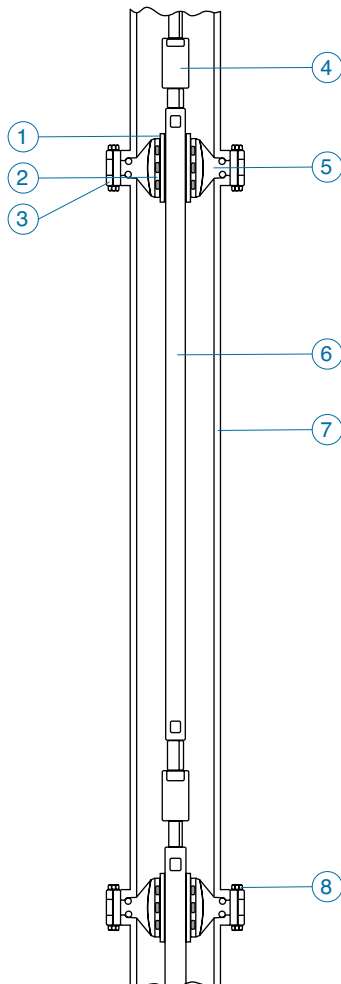
Dimensioni d'ingombro e pesi

Overall dimensions and weights

Dimensiones máximas y pesos

Dimensions d'encombrement et poids

Serie	A	B	C	D	kg
MEC-80 ø 20	3000	142	89	95	32.0
MEC-80 ø 24	3000	142	89	95	34.0
MEC-100 ø 20	3000	167	114	115	43.0
MEC-100 ø 24	3000	167	114	115	45.0
MEC-100 ø 27	3000	167	114	115	48.0
MEC-125 ø 20	3000	192	140	140	52.0
MEC-125 ø 24	3000	192	140	140	55.0
MEC-125 ø 27	3000	192	140	140	58.0
MEC-125 ø 30	3000	192	140	140	62.0
MEC-150 ø 24	3000	236	168	175	70.0
MEC-150 ø 30	3000	236	168	175	76.0
MEC-150 ø 35	3000	236	168	175	83.0



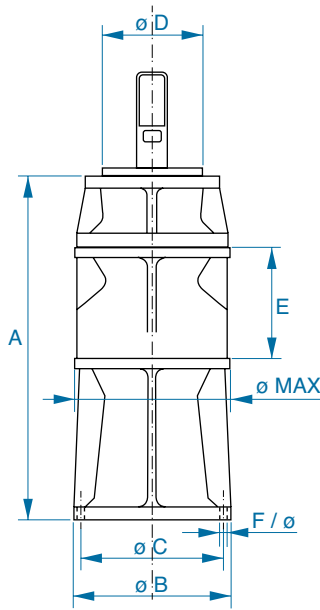
Lista parti di ricambio

Spare parts list

Lista de repuestos

Liste des pièces de rechange

IT	EN	ES	FR
1 Bussola cromata	Chromium plated bush	Casquillo cromado	Bague chromée
2 Bussola gommata	Rubbered bush	Casquillo engomado	Bague caoutchouté
3 Anello OR	Ring OR	Anillo OR	Anneau OR
4 Raccordo filettato	Threaded connection	Racor roscado	Raccord fileté
5 Supporto	Support	Soporte	Support
6 Asta	Dipstick	Varilla	Jauge
7 Tubo biflangiato	Biflanged pipe	Tubo doblemente bridado	Tube à deux brides
8 Vite con dado	Screw with nut	Tornillo con tuerca	Vis avec écrou



Dimensioni d'ingombro e pesi

Overall dimensions and weights

Dimensiones máximas y pesos

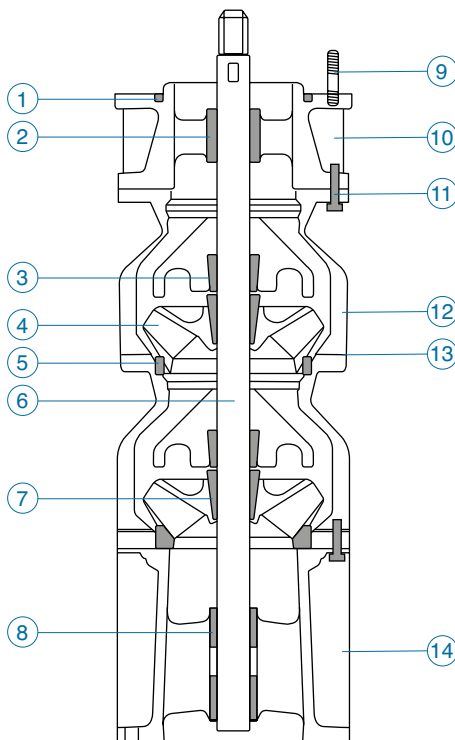
Dimensions d'encombrement et poids

Serie	A	B	C	F		D	E	ø MAX	kg	
				ø	No.				a	b
MEC-80 6" - 6"R	360	142	118	13	4	95	115	142	17.5	5.5
MEC-80 7"	400	142	118	13	4	95	135	168	24.0	8.5
MEC-100 7"	400	167	145	13	6	115	135	168	26.0	9.0
MEC-80 8"	250	142	118	13	4	95	115	190	18.0	10.0
MEC-100 8"	350	167	140	13	4	115	115	190	26.0	10.0
MEC-125 8"	425	192	167	13	6	140	140	190	29.0	11.0
MEC-150 10"	485	236	206	16	6	175	175	240	51.0	21.0

F - Fori / Holes / Agujeros / Trous

a - Peso corpo pompa con 1° stadio / Pump body weight with the 1st stage / Peso del cuerpo de la bomba con la 1ra etapa / Poids du corps de la pompe avec le 1ère stade

b - Peso stadio / Stage weight / Peso de la etapa / Poids du stade



Lista parti di ricambio

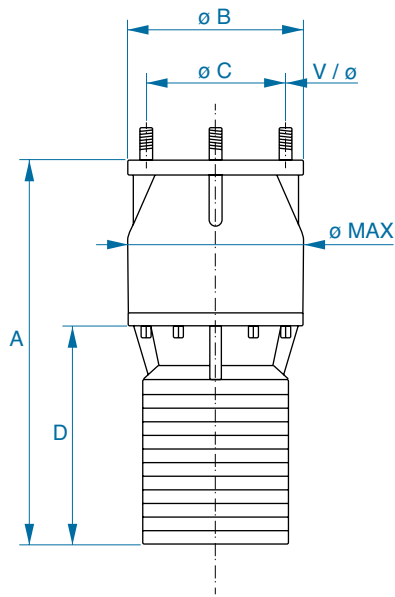
Spare parts list

Lista de repuestos

Liste des pièces de rechange

IT	EN	ES	FR
1 Anello OR	Ring OR	Anillo OR	Anneau OR
2 Bussola gommata	Rubbered bush	Casquillo engomado	Bague caoutchouté
3 Bussola gommata	Rubbered bush	Casquillo engomado	Bague caoutchouté
4 Girante	Impeller	Impulsor	Roue
5 Anello guida girante	Impeller pilot ring	Anillo de guía para impulsor	Anneau de guidage roue
6 Albero giranti	Impellers shaft	Eje de los impulsores	Arbre des roues
7 Bussola di trazione	Traction bush	Casquillo de tracción	Bague de traction
8 Bussola gommata	Rubbered bush	Casquillo engomado	Bague caoutchouté
9 Vite prigioniera	Stud	Espárrago	Goujon
10 Supporto mandata	Flow support	Soporte de caudal	Support de refoulement
11 Vite prigioniera	Stud	Espárrago	Goujon
12 Diffusore	Diffusor	Difusor	Diffuseur
13 Guarnizione	Gasket	Junta	Joint
14 Supporto aspirante	Suction support	Soporte de succión	Support d'aspiration

VALVOLA DI FONDO
BOTTOM VALVE
VÁLVULA DE FONDO
VANNE DE FOND



Dimensioni d'ingombro e pesi

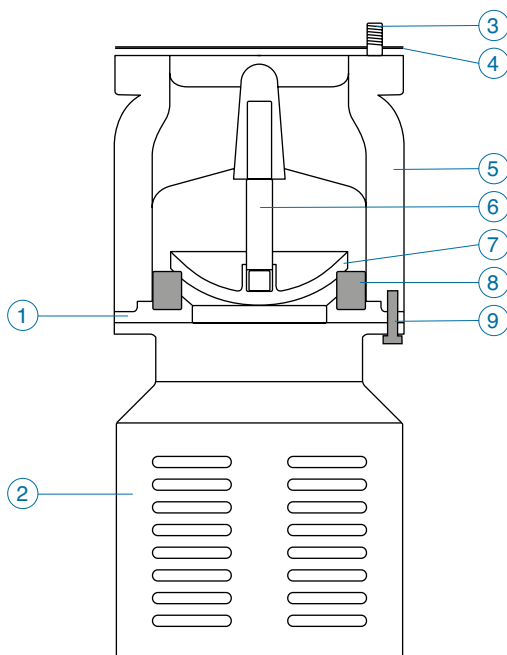
Overall dimensions and weights

Dimensiones máximas y pesos

Dimensions d'encombrement et poids

Serie	A	B	C	D	V		ø	kg
					ø	No.		
MEC-3"	310	140	118	200	10	6	142	10.0
					12	4		
MEC-4"	350	172	147	170	12	4	172	13.0
					12	6		
MEC-5"	430	190	167	230	12	6	190	18.0
MEC-6"	550	236	206	245	14	6	240	45.0

V - Viti / Screws / Tornillos / Vis



Lista parti di ricambio

Spare parts list

Lista de repuestos

Liste des pièces de rechange



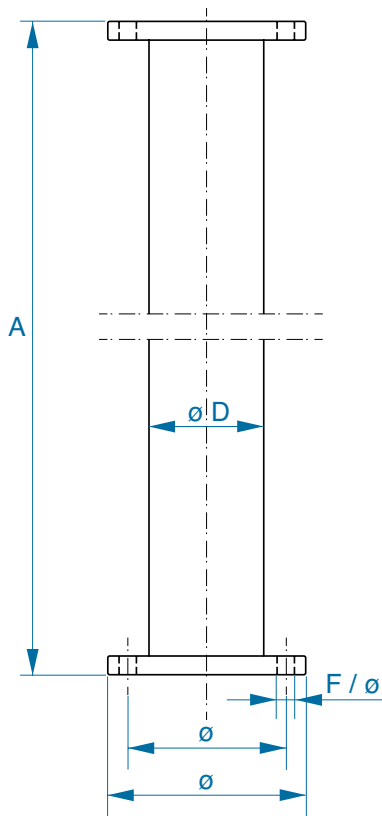
1 Interflangia	Intermediate flange	Brida intermedia	Bride intermédiaire
2 Succheruola	Strainer	Filtro	Filtre
3 Vite prigioniera	Stud	Espárrago	Goujon
4 Guarnizione gomma	Rubber gasket	Guarnición de goma	Joint en caoutchouc
5 Corpo valvola	Valve body	Cuerpo válvula	Corp de clapet
6 Perno	Pivot	Perno	Pivot
7 Valvola	Valve	Válvula	Clapet
8 Guarnizione gomma	Rubber gasket	Guarnición de goma	Joint en caoutchouc
9 Vite prigioniera	Stud	Espárrago	Goujon

TUBO DI ASPIRAZIONE

SUCTION PIPE

TUBO DE ASPIRACIÓN

TUYAU D'ASPIRATION



Dimensioni d'ingombro e pesi

Overall dimensions and weights

Dimensiones máximas y pesos

Dimensions d'encombrement et poids

Serie	A	F		D	kg
		ø	No.		
MEC 3"	m 1	13	4	89	10.0
	m 2	13	4	89	17.0
	m 3	13	4	89	24.0
MEC 4"	m 1	13	4 - 6	114	13.0
	m 2	13	4 - 6	114	23.0
	m 3	13	4 - 6	114	33.0
MEC 5"	m 1	14	6	140	17.0
	m 2	14	6	140	30.0
	m 3	14	6	140	43.0
MEC 6"	m 1	16	6	168	23.0
	m 2	16	6	168	39.0
	m 3	16	6	168	56.0

F - Fori / Holes / Agujeros / Trous

Dati tecnici / Technical data / Datos técnicos / Données techniques

Portata Flow rate Caudal Débit		Linea d'assi tipo / Shafts line type / Línea de ejes tipo / Ligne d'axis type												
		LA3/ 20/22	LA3/24	LA4/ 20/22	LA4/24	LA4/27	LA5/ 20/22	LA5/24	LA5/27	LA5/30	LA6/24	LA6/30	LA6/35	LA7/30
m³/h	l/min	Perdite di carico in metri ogni 10 metri di linea d'assi / Load losses in meters every 10 meters of shafts line / Pérdidas de carga en metros cada 10 metros de línea de ejes / Pertes de charge en mètres chaque 10 mètres de ligne d'axis												
18	300	0.21	0.26											
21	350	0.29	0.35											
24	400	0.39	0.45											
27	450	0.46	0.56											
30	500	0.56	0.70											
33	550	0.68	0.84											
36	600	0.80	0.97											
39	650	0.94	1.13											
42	700	1.10	1.32	0.30	0.35									
45	750	1.25	1.50	0.32	0.40									
48	800	1.40	1.70	0.38	0.45									
51	850	1.55	1.90	0.42	0.50									
54	900	1.75	2.10	0.48	0.56									
57	950	1.90	2.35	0.52	0.62									
60	1000	2.10	2.50	0.58	0.70									
66	1100	2.50	2.70	0.68	0.80	0.97	0.29	0.33	0.37	0.40				
72	1200			0.80	1.00	1.15	0.33	0.38	0.43	0.47				
78	1300			0.95	1.15	1.32	0.39	0.45	0.50	0.55				
84	1400			1.10	1.30	1.55	0.40	0.55	0.58	0.63				
90	1500			1.25	1.50	1.72	0.50	0.60	0.65	0.72				
96	1600			1.40	1.70	1.95	0.58	0.65	0.74	0.80				
102	1700					2.20	0.65	0.75	0.84	0.90				
108	1800					2.45	0.72	0.85	0.92	1.00	0.18	0.23	0.25	
120	2000						0.90	1.00	1.15	1.25	0.23	0.27	0.31	
132	2200						1.08	1.25	1.38	1.50	0.27	0.33	0.37	0.19
144	2400						1.25	1.48	1.60	1.75	0.32	0.39	0.44	0.22
156	2600						1.50	1.70	1.90	2.05	0.37	0.45	0.50	0.26
168	2800										0.40	0.50	0.60	0.30
180	3000										0.50	0.59	0.66	0.34
195	3250										0.58	0.68	0.78	0.40
210	3500										0.65	0.78	0.90	0.46
225	3750										0.74	0.90	1.00	0.51
240	4000										0.85	1.00	1.15	0.60
255	4250										0.95	1.15	1.25	0.66
270	4500										1.05	1.25	1.42	0.75
285	4750										1.15	1.40	1.60	0.80
300	5000										1.28	1.55	1.75	0.90

Perdita di potenza in HP ogni 10 metri di linea d'asse / HP power loss every 10 meters of line shaft / Pérdida de potencia en HP cada 10 metros de línea de eje / Perte de puissance en HP chaque 10 mètres de ligne d'axis										
Ø Asta in mm / Ø Dipstick in mm / Ø Varilla in mm / Ø Tige en mm		Velocità di rotazione h-Giri/min / Speed of rotation h-r.p.m. / Velocidad de rotación h-Revolución por minuto / Vitesse de rotation h-Tours par minute								
		950	1140	1450	1750	2000	2200	2400	2650	2900
20 - 22	Perdita di potenza in HP HP Power loss	0.07	0.085	0.11	0.14	0.17	0.20	0.225	0.26	0.31
24	Pérdida de potencia en HP	0.095	0.12	0.15	0.19	0.225	0.26	0.30	0.34	0.40
30	Perte de puissance en HP	0.14	0.18	0.24	0.30	0.36	0.41	0.47	0.55	0.66
35		0.18	0.24	0.29	0.36	0.44	0.50	0.58	0.70	0.90

- IT**
1. **ORDINI:** Qualsiasi ordinazione trasmessaci si intende definita soltanto dopo ns. accettazione.
 2. **CONSEGNA:** la merce viaggia a rischio o pericolo del compratore. Eventuali irregolarità od ammanchi di merce debbono essere segnalati nel termine di 3 giorni lavorativi dal ricevimento. I termini di consegna si intendono sempre approssimativi, eventuali ritardi non danno diritto a danni. Sono a completo carico del compratore tutti gli oneri derivanti da noli, tariffe, oneri fiscali, intervenuti dopo il perfezionamento della vendita.
 3. **PAGAMENTI:** in caso di ritardo di pagamento, la venditrice addebiterà l'interesse di mora al tasso bancario per finanziamenti a breve termine. Qualunque contestazione ed eccezione per qualsiasi motivo, non dà mai diritto al compratore di sospendere i pagamenti.
 4. **GARANZIA:** Il costruttore presta le garanzie di legge. La garanzia copre ogni difetto di costruzione del solo materiale prodotto dal costruttore, essa si limita alla riparazione o sostituzione dell'articolo riconosciuto in garanzia. Sono inoltre escluse tubazioni in gomma, cuscinetti a sfera ed a rullo ed ogni altro particolare che, per l'uso a cui sono destinati, danno atto ad usura e consumo dei materiali che li compongono. In nessun caso comunque la garanzia implica la possibilità di richiesta di indennità. La garanzia decade se la macchina è stata riparata, smontata o manomessa da persone non autorizzate dal costruttore. Per poter chiedere la sostituzione in garanzia dei pezzi rotti o guasti, il compratore deve far pervenire alla venditrice, in porto franco, i pezzi stessi per la contestazione della causa della rottura o del guasto.
 5. **FORO COMPETENTE:** per eventuali controversie il foro competente è quello di REGGIO EMILIA.
 6. Il costruttore non si assume alcuna responsabilità per errori ed omissioni e si riserva il diritto di modifiche senza obbligo di preavviso.

- EN**
1. **ORDERS:** Any order sent to us is defined only after our acceptance.
 2. **DELIVERY:** The good travel at the risk or danger of the buyer. Any irregularities or shortages of goods must be reported within 3 working days of receipt. Delivery terms are always approximate, any delays do not eligible for damage. The buyer is fully responsible for all charges arising from freight rates, tariffs, taxes, after completion of the sale.
 3. **PAYMENT:** In case of delay of payment, the seller will charge default interest at the bank rate for short-term financing. Any dispute or exception for any reason shall never entitle the buyer to stop payments.
 4. **WARRANTY:** The constructor provides legal guarantees. The warranty covers any lack of construction of only materials produced by the manufacturer, it is limited to the repair or replacement of the article recognized under warranty. In addition, rubber piping, ball and roller bearings and any other particulars which, for the purpose for which they are intended, cause wear and tear of the materials making them up shall be excluded. In no case, however, the guarantee implies the possibility of compensation request. The warranty void, if the machine has been repaired, disassembled, or tampered with by persons not authorized by the manufacturer. In order to be able to ask for the replacement in guarantee of the broken pieces or faults, the buyer must send to the seller, in free port, the pieces themselves for the dispute of the cause of the rupture or the breakdown.
 5. **PLACE OF JURISDICTION:** for any disputes the competent court is that of REGGIO EMILIA.
 6. The manufacturer not take responsibility for errors and omissions and reserves the right to change without obligation to notice.

- ES**
1. **PEDIDOS:** Cualquier pedido que nos envíe se define solo después nuestra aceptación.
 2. **ENTREGA:** La mercancía viaja por cuenta y riesgo del comprador. Cualquier irregularidad o falta de mercancía deberá ser comunicada en el plazo de 3 días laborables a partir de la recepción. Las condiciones de entrega son siempre aproximados, cualquier retraso no da derecho a daños. Todos los gastos derivados de fletes, tarifas, gravámenes fiscales, efectuados después de la finalización de la venta, correrán a cargo del comprador.
 3. **PAGOS:** En caso de retraso en el pago, el vendedor cobrará el interés de demora a la tasa bancaria para financiación a corto plazo. Cualquier impugnación y excepción por cualquier motivo, nunca da derecho al comprador a suspender los pagos.
 4. **GARANTÍA:** El fabricante presta las garantías legales. La garantía cubre cualquier defecto de construcción del material producido por el fabricante, se limita a la reparación o reemplazo del artículo reconocido en la garantía. Se excluyen asimismo los tubos de caucho, los cojinetes de bolas y de rodillos y cualquier otro detalle que, por el uso al que están destinados, pueda provocar desgaste y consumo de los materiales que los componen. Sin embargo, en ningún caso la garantía implica la posibilidad de reclamar indemnizaciones. La garantía expira si la máquina ha sido reparada, desmontada o manipulada por personas no autorizadas por el fabricante. Para poder solicitar la sustitución en garantía de las piezas rotas o averías, el comprador debe hacer llegar a la vendedora, en puerto franco, las piezas mismas para impugnar la causa de la rotura o del fallo.
 5. **FORO COMPETENTE:** para eventuales controversias el foro competente es el de REGGIO EMILIA.
 6. El fabricante no asume ninguna responsabilidad por errores y omisiones y se reserva el derecho de realizar cambios sin previo aviso.

- FR**
1. **COMMANDES :** Toute commande transmise est définie seulement après ns. acceptation.
 2. **LIVRAISON :** la marchandise voyage aux risques ou périls de l'acheteur. Toute irrégularité ou absence de marchandise doit être signalée dans un délai de 3 jours ouvrables à compter de la réception. Les délais de livraison sont toujours approximatifs, tout retard ne donne pas droit à des dommages. Sont à la pleine charge de l'acheteur tous les frais découlant des locations, tarifs, taxes, contributions, intervenus après la conclusion de la vente.
 3. **PAIEMENTS :** en cas de retard de paiement, le vendeur facturera des intérêts de retard au taux bancaire pour les financements à court terme. Toute contestation et exception pour quelque raison que ce soit ne donne jamais le droit à l'acheteur de suspendre les paiements.
 4. **GARANTIE :** Le constructeur fournit les garanties légales. La garantie couvre tout défaut de construction du seul matériau produit par le fabricant, elle se limite à la réparation ou au remplacement de l'article reconnu sous garantie. Sont également exclus les tuyaux en caoutchouc, les roulements à billes et à rouleaux et tout autre détail qui, pour l'usage auquel ils sont destinés, donne lieu à l'usure et à la consommation des matériaux qui les composent. La garantie n'implique en aucun cas la possibilité de demander une indemnité. La garantie expire si la machine a été réparée, démontée ou manipulée par des personnes non autorisées par le fabricant. Pour pouvoir demander le remplacement en garantie des pièces cassées ou défectueuses, l'acheteur doit faire parvenir au vendeur, au port franc, les pièces elles-mêmes pour contestation de la cause de la rupture ou de la défaillance.
 5. **TRIBUNAL COMPÉTENT :** pour les éventuels litiges le tribunal compétent est celui de REGGIO EMILIA.
 6. Le constructeur décline toute responsabilité pour les erreurs et omissions et se réserve le droit de modifier sans préavis.

A dynamic water splash with various droplets and streams, set against a light blue background. The water is captured in mid-air, creating a sense of movement and freshness.

**mec.2.
pompe**

MEC-2 POMPE S.R.L.

VIA BERNINI, 9 - 42048 RUBIERA (RE) - ITALY

TEL. 0522.62.95.88 - FAX 0522.62.89.88

E-MAIL: INFO@MEC-2POMPE.IT